

This document contains proprietary information and such information may not be disclosed to others for any purposes, not used for sales/marketing/procurement purposes without written permission

REV	DESCRIPTION OF REVISION	ECN NO.	BY	DATE	APPROVED
A	Initial Release	—	T. Shihua	17/3/15	17/3/15
B	New Release	—	T. Shihua	18/3/15	18/3/15

1 Electrical

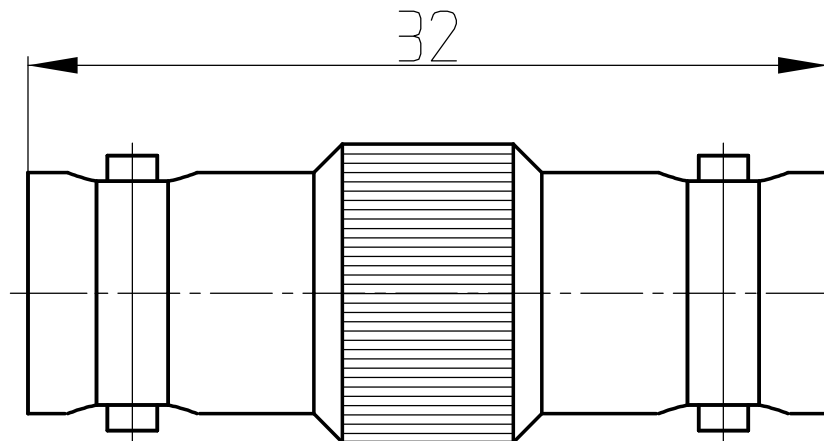
- 1.1 Impedence 50  $\Omega$
- 1.2 Frequency DC-300MHz
- 1.3 Dielectric withstanding voltage 3KV rms, 50Hz(Depending on cable)
- 1.4 Working voltage( at sea level) 1.6KV rms, 50Hz(Depending on cable)
- 1.5 Insulation resistance  $\geq 5000 \cdot 10^3 M\Omega$
- 1.6 Center contact resistance  $\leq 2M\Omega$
- 1.7 Outer contact resistance  $\leq 1M\Omega$
- 1.8 Corona extinction voltage  $\geq 300V$  rms, 50Hz(Depending on cable)
- 1.9 Current rating continuous  $\leq 10A$

2 Environmental&Mechanical

- 2.1 Temperature range -45 $^{\circ}$ ~125 $^{\circ}$
- 2.2 RoHs Compliant
- 2.3 Durability >500 cycles



3 Materials&Finish

- 3.1 Body: Brass, Nickel plated
- 3.2 Insulator: Teflon
- 3.3 Contact Pin: Bronze, gold plated
- 3.4 Housing: Brass, nickel plated



Notes:

- 1. ALL SPECIFICATIONS ARE SUBJECT TO CHANGE NOTICE AT ANY TIME
- 2. CUSTOMER OUTLINE DRAWING FOR REFERENCE ONLY

DRAWN: T. Shihua 17/3/15	TITLE:  RF Adaptor  MHV Female to Female	 <a href="http://www.trl-rf.com">www.trl-rf.com</a>				
ENGINEER: C. Tao 17/3/15						
APPROVED: W. Qiang 17/3/15		 DIMENSION IN MILLIMETERS (mm)				
TOLERANCES UNLESS OTHERWISE SPECIFIED X $\pm 0.50$ .X $\pm 0.20$ .XX $\pm 0.10$ ANGLES $\pm 1^{\circ}$		PART NO: MHV-KK	SIZE: A4	SCALE: N/A	SHEET: 1/1	REV: B