

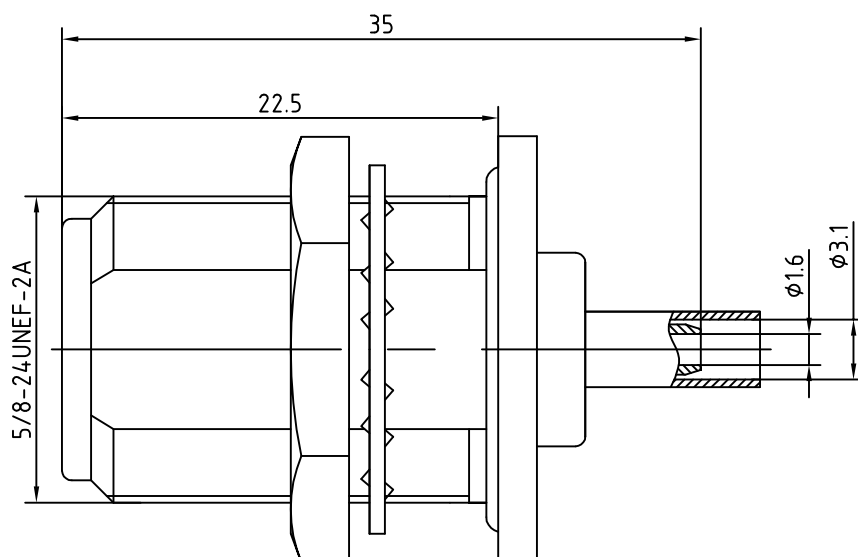
1

2

3

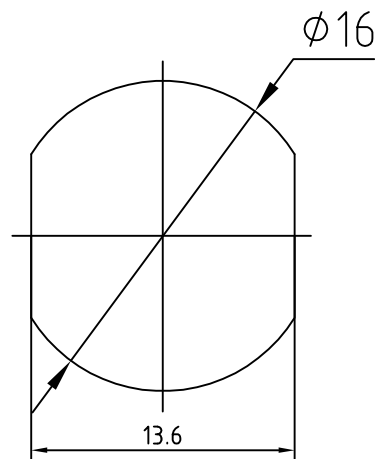
4

A



A

B



B

## 1 Electrical

- 1.1 Impedance:  $50\Omega$
- 1.2 Frequency: 0-11GHz
- 1.3  $VSWR \leq 1.3$
- 1.4 Insulation resistance:  $\geq 5000M\Omega$
- 1.5 Dielectric strength: 1500V
- 1.6 Contact resistance
  - Center contact  $\leq 1M\Omega$
  - Outer contact  $\leq 0.2M\Omega$

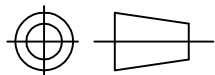
## 2 Materials & Finish

- 2.1 Inner Contact: Brass, gold plated
- 2.2 Outer Contact: Brass, Nickel plated
- 2.3 Insulators: PTFE

C

C

D



Scale

1:1

N-KY3YC

UNLESS OTHERWISE SPECIFIED  
DIMENSIONS ARE mm, TOLERANCES ARE:  
FRACTIONS DECIMALS ANGLES

No	Name	Date
1	Designed	Michael 14-Mar-09
2	Checked	Jason 14-Mar-09
3	Approved	Teresa 14-Mar-09

N female B/H Conn for RG316

.X± .15 ±1°  
.XX± .05  
.XXX±

Xi'an T-RELY ELECTRONICS CO., LTD.

D