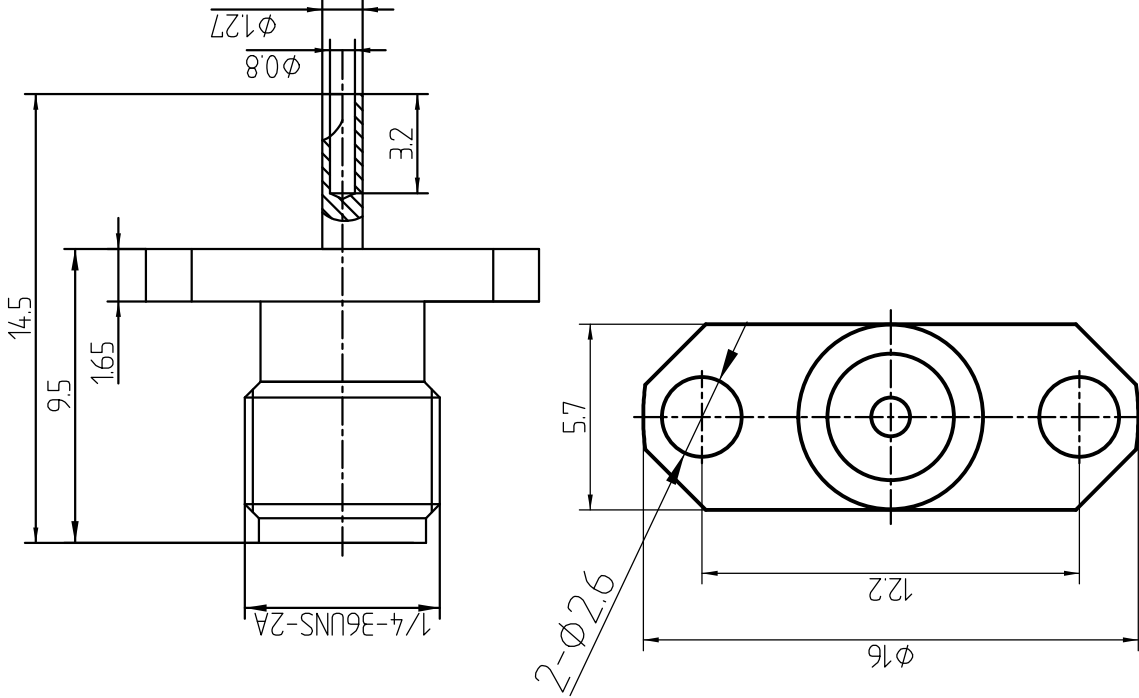


This document contains proprietary information and such information may not be disclosed to others for any purposes, not used for sales/marketing/procurement purposes without written permission

- 1 Electrical
  - 1.1 Impedence 50  $\Omega$
  - 1.2 Frequency 0~6GHz
  - 1.2 Dielectric withstanding voltage 1000V(volts RMS)
  - 1.3 Center contact resistance  $\leq 3M\Omega$
  - 1.4 Outer contact resistance  $\leq 2M\Omega$
  - 1.5 Insulation resistance:  $\geq 5000M\Omega$
  - 1.6 VSWR 1.2:1

- 2 Environmental&Mechanical
  - 2.1 Temperature range -45 $^{\circ}$ ~85 $^{\circ}$
  - 2.2 RoHS Compliant YES
  - 2.3 Durability >500 cycles

- 3 Materials&plating
  - 3.1 Body: Brass; Gold, plated
  - 3.2 Insulator: Teflon
  - 3.3 Contact Pin: Beryllium Copper; Gold,plated



REV	DESCRIPTION OF REVISION	ECN NO.	BY	DATE	APPROVED
A	Initial Release		T. Haiyum	5/11/14	5/11/14

DRAWN:	T. Haiyum 5/11/14
ENGINEER:	C. Tao 5/11/14
APPROVED:	W. Qiang 5/11/14
TOLERANCES UNLESS OTHERWISE SPECIFIED	
X	+0.50
.X	+0.20
.XX	+0.10
ANGLES	*°

TITLE:	
RF Coaxial Connector	
SMA Female Flange Connector Mount	
PART NO:	SMA-RFD1008B
SIZE:	A4
SCALE:	N/A
SHEET:	1/1
REV:	A

Notes:

1. ALL SPECIFICATIONS ARE SUBJECT TO CHANGE NOTICE AT ANY TIME
2. CUSTOMER OUTLINE DRAWING FOR REFERENCE ONLY