

1

2

3

4

This document contains proprietary information and such information may not be disclosed to others for any purposes,
not used for sales/marketing/procurement purposes without written permission

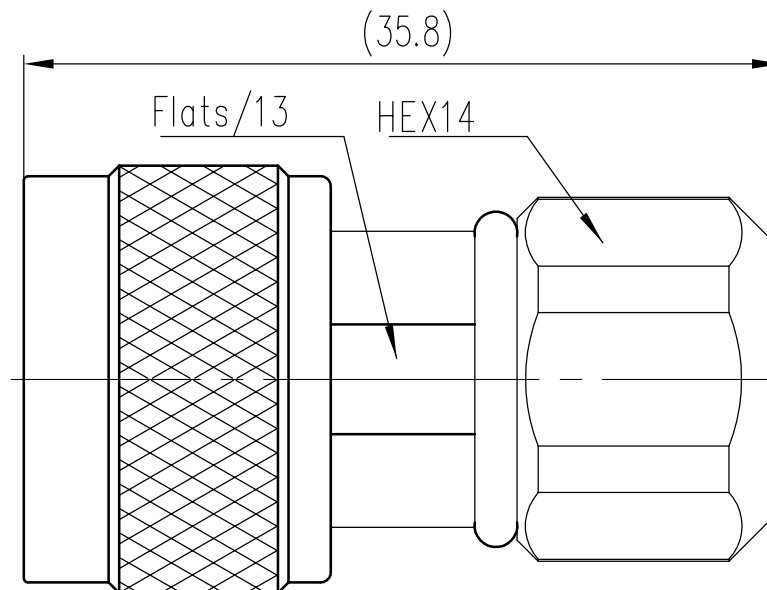
REV	DESCRIPTION OF REVISION	ECN NO.	BY	DATE	APPROVED
A	New Release	—	T.Shihua	08/08/15	08/08/15

1 电气性能

1.1 阻抗	50Ω
1.2 频率	DC-6GHz
1.3 介质耐压	1500V(volts RMS)
1.4 内导体电阻	≤ 1MΩ
1.5 外导体电阻	≤ 0.2MΩ
1.6 绝缘电阻	≥ 5000MΩ
1.7 驻波	1.25 max


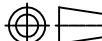
2 材料及涂覆

2.1 外壳:	黄铜, 镀镍
2.2 绝缘体:	Teflon
2.3 内导体:	青铜, 镀金
2.4 连接螺套:	黄铜, 镀镍



Notes:

- ALL SPECIFICATIONS ARE SUBJECT TO CHANGE NOTICE AT ANY TIME
- CUSTOMER OUTLINE DRAWING FOR REFERENCE ONLY

DRAWN: T.Shihua 08/08/15	TITLE: N-J5DA N 公头 接RG142 电缆	 www.t-rely.com.cn			
ENGINEER: C.Tao 08/08/15					
APPROVED: W.Qiang 08/08/15		 DIMENSION IN MILLIMETERS (mm)			
TOLERANCES UNLESS OTHERWISE SPECIFIED .X ±0.50 .XX ±0.20 XX ±0.10 ANGLES ±1°	PART NO: TRL-NM-264678	SIZE: A4	SCALE: N/A	SHEET: 1/1	REV: A

1

2

3

4