

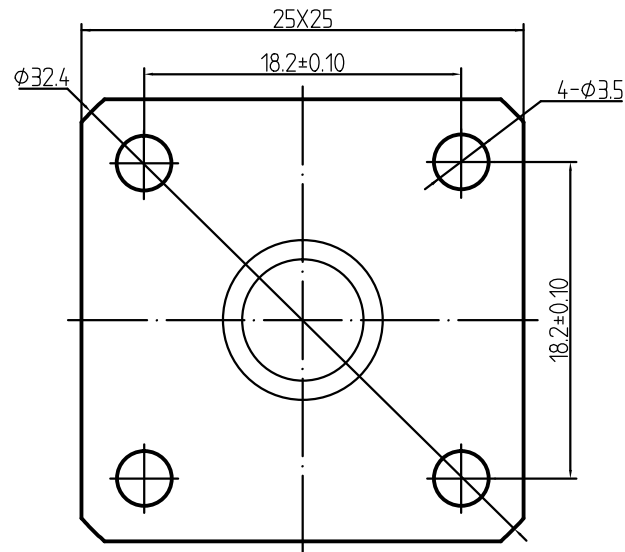
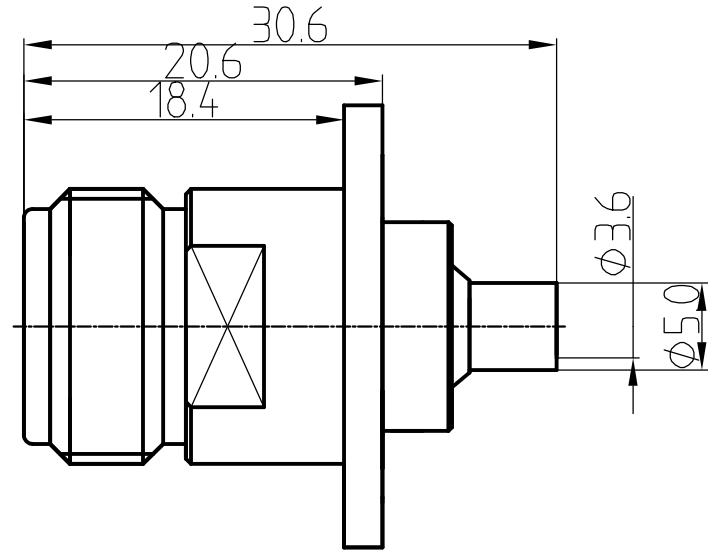
This document contains proprietary information and such information may not be disclosed to others for any purposes, not used for sales/marketing/procurement purposes without written permission

REV	DESCRIPTION OF REVISION	ECN NO.	BY	DATE	APPROVED
A	Initial Release	—	T. Shihua	07/04/16	07/04/16

- 1 Electrical
- 1.1 Impedence 50 Ω
 - 1.2 Frequency DC ~11GHz
 - 1.3 Dielectric withstanding voltage 1500V(volts RMS)
 - 1.4 Center contact resistance ≤ 1M Ω
 - 1.5 Outer contact resistance ≤ 0.2M Ω
 - 1.6 Insulation resistance: ≥ 5000M Ω
 - 1.7 VSWR 1.2:1



- 2 Environmental&Mechanical
- 2.1 Temperature range -55℃ ~155℃
 - 2.2 RoHs Compliant
 - 2.3 Durability >500 cycles

- 3 Materials&plating
- 3.1 Body: Brass, nickel plated
 - 3.2 Insulator: Teflon
 - 3.3 Contact Pin: Brass, Gold plated



Notes:

- 1. ALL SPECIFICATIONS ARE SUBJECT TO CHANGE NOTICE AT ANY TIME
- 2. CUSTOMER OUTLINE DRAWING FOR REFERENCE ONLY

DRAWN: T. Shihua 07/04/16	TITLE:	 www.terulai.com
ENGINEER: C. Tao 07/04/16	RF Coaxial Connector	
APPROVED: W. Qiang 07/04/16	N female Flange Conn. For .141 Cable	 DIMENSION IN MILLIMETERS (mm)
TOLERANCES UNLESS OTHERWISE SPECIFIED X ±0.50 X ±0.20 XX ±0.10 ANGLES ±1°	PART NO: N-KFB3	SIZE: A4 SCALE: N/A SHEET: 1/1 REV: A