

This document contains proprietary information and such information may not be disclosed to others for any purposes,
not used for sales/marketing/procurement purposes without written permission

REV	DESCRIPTION OF REVISION	ECN NO.	BY	DATE	APPROVED
A	Initial Release	—	T.Haiyun	26/02/09	26/02/09

1 Electr

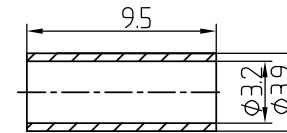
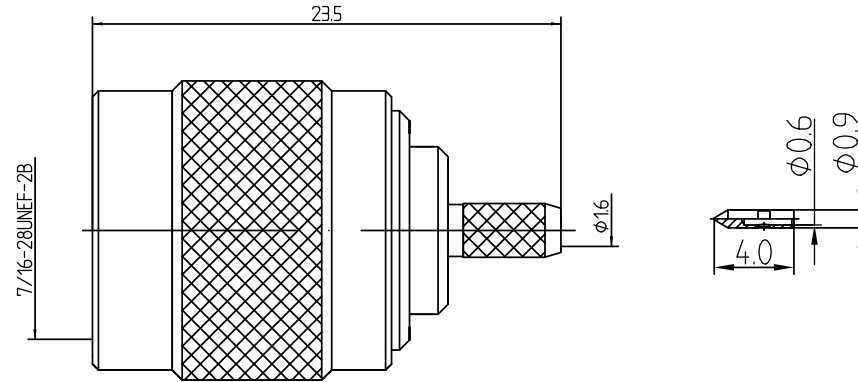
- 1.1 Impedence 50 Ω
- 1.2 Frequency DC ~6GHz
- 1.3 Dielectric withstanding voltage 1500V(volts RMS)
- 1.4 Center contact resistance $\leq 15M\Omega$
- 1.5 Outer contact resistance $\leq 0.2M\Omega$
- 1.6 Insulation resistance: $\geq 5000M\Omega$

2 Environmental&Mechanical

- 2.1 Temperature range -40℃ ~ +70℃
- 2.2 RoHs Compliant
- 2.3 Durability ≥ 500 cycles


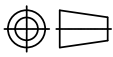
3 Materials&plating

- 3.1 Body: Brass; Nickel plated
- 3.2 Insulator: Teflon
- 3.3 Contact Pin: Brass, Gold plated
- 3.4 Nut: Brass, Nickel plated
- 3.5 Gasket: Silicon Rubber (red color)
- 3.6 Ferrule: Copper, Nickel plated



Notes:

- 1. ALL SPECIFICATIONS ARE SUBJECT TO CHANGE NOTICE AT ANY TIME
- 2. CUSTOMER OUTLINE DRAWING FOR REFERENCE ONLY

DRAWN : T.Haiyun 26/02/09	TITLE:	 www.trl-rf.com			
ENGINEER: C.Tao 26/02/09	RF Coaxial Connector				
APPROVED : W.Qiang 26/02/09	TNC Male Conn. for RG174 Cable	 DIMENSION IN MILLIMETERS (mm)			
TOLERANCES UNLESS OTHERWISE SPECIFIED	Crimp				
X ±0.50	PART NO: TNC-J3BY	SIZE: A4	SCALE: N/A	SHEET: 1/1	REV: A
.X ±0.20					
.XX ±0.10					
ANGLES ±1°					