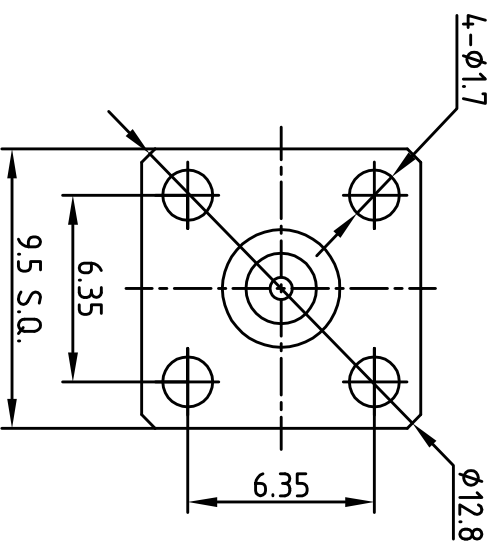
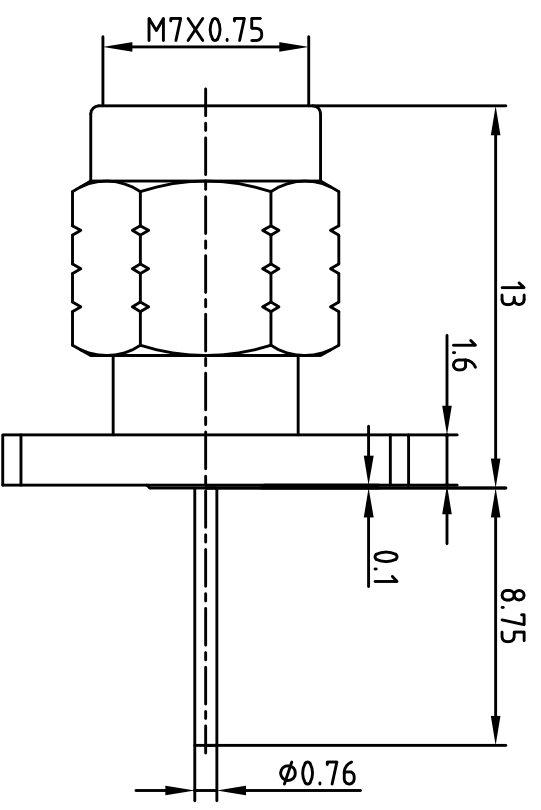


This document contains proprietary information and such information may not be disclosed to others for any purposes, not used for sales/marketing/procurement purposes without written permission

REV	DESCRIPTION OF REVISION	ECN NO.	BY	DATE	APPROVED
A	Initial Release		T.Shihua	1/8/14	1/8/14



- 1 Electrical
  - 1.1 Impedance: 50Ω
  - 1.2 Frequency: DC-50GHz
  - 1.3 VSWR: 1.2:1
- 2 Mechanical&Environmental
  - 2.1 Temperature range -55°C ~+165°C
  - 2.2 Durability(matings) >500
  - 2.3 RoHs Compliant Yes
- 3 Material&Finish
  - 3.1 Pin contact: Beryllium-Copper, gold plated
  - 3.2 Body: Stainless Steel(SU303), Passivated
  - 3.3 Insulators: PEI
- 4 Interface Standards
  - 4.1 2.4 IEEE STD 287-2007

Notes:

- 1. ALL SPECIFICATIONS ARE SUBJECT TO CHANGE NOTICE AT ANY TIME
- 2. CUSTOMER OUTLINE DRAWING FOR REFERENCE ONLY

DRAWN: T.Shihua 1/8/14		TITLE: Precision Adapter	
ENGINEER: C.Too 1/8/14		2.4 Male Flange Connector Terminal	
APPROVED: W.Qiang 1/8/14		PART NO: 2.4-JPD1G	
TOLERANCES UNLESS OTHERWISE SPECIFIED		SIZE: A4	
X	±0.30	SCALE: N/A	
XX	±0.20	SHEET: 1/1	
XXX	±0.10	REV: A	
ANGLES	±1°	www.terullal.com	



DIMENSION IN MILLIMETERS (mm)

1 2 3 4

A B A B