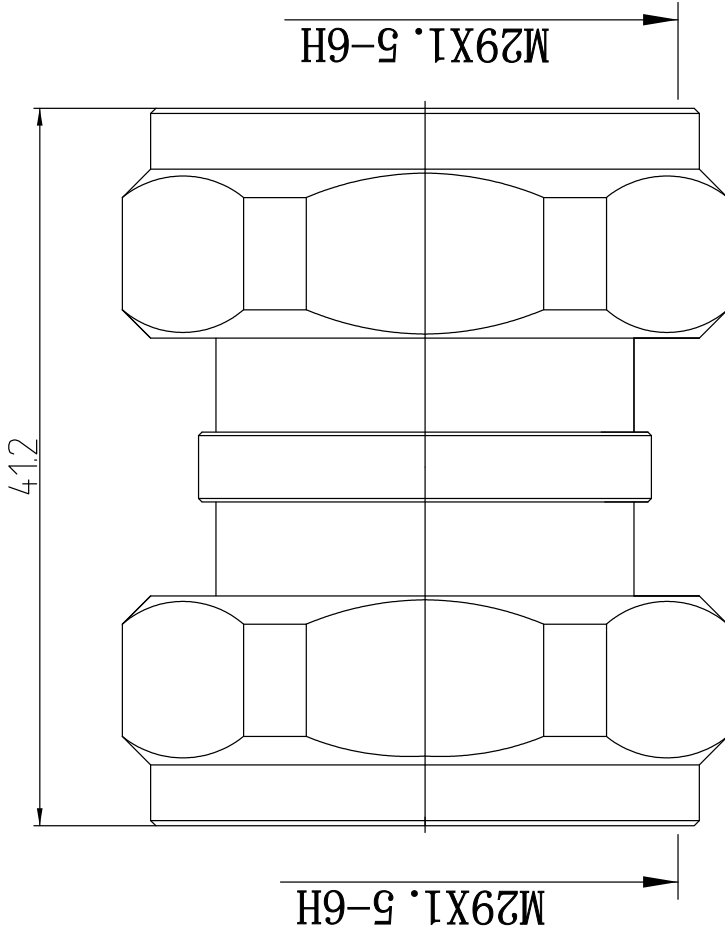


This document contains proprietary information and such information may not be disclosed to others for any purposes, not used for sales/marketing/procurement purposes without written permission

- 1 Technical Data:
  - 1.1 Impedence: 50  $\Omega$
  - 1.2 Frequency: DC ~ 3GHz
  - 1.3 VSWR: < 1.2
  - 1.4 Dielectric withstanding voltage: > 1500V rms at sea level
  - 1.5 Insulation resistance: > 10000M $\Omega$
  - 1.6 Center contact resistance: < 0.4 m $\Omega$
  - 1.7 Outer contact resistance: < 15m $\Omega$
- 2 Environmental & Mechanical
  - 2.1 Temperature range: -40 $^{\circ}$ C ~ 70 $^{\circ}$ C
  - 2.2 RoHS Compliant
  - 2.3 Durability: > 500 cycles
- 3 Materials & plating
  - 3.1 Body: Brass, Nickel plated
  - 3.2 Insulator: Teflon
  - 3.3 Contact Pin: Brass, gold plated
  - 3.4 Coupling Nut: Brass, Nickel plated



REV	DESCRIPTION OF REVISION	ECN NO.	BY	DATE	APPROVED
A	Initial Release		T. Shihua	16/5/14	16/5/14

Notes:

1. ALL SPECIFICATIONS ARE SUBJECT TO CHANGE NOTICE AT ANY TIME
2. CUSTOMER OUTLINE DRAWING FOR REFERENCE ONLY

DRAWN : T. Shihua 16/5/14	TITLE: RF Adaptor	
ENGINEER: C. Tao 16/5/14	L29 (7/16) Male to Male Adapter	
APPROVED : W. Qiang 16/5/14	SCALE: N/A	
TOLERANCES UNLESS OTHERWISE SPECIFIED	DIMENSION IN MILLIMETERS (mm)	
X ±0.50	A4	
.X ±0.20	SHEET: 1/1	
.XX ±0.10	REV: A	
ANGLES ± $^{\circ}$		



www.carl.com



DIMENSION IN MILLIMETERS (mm)

SCALE: N/A

SHEET: 1/1

REV: A