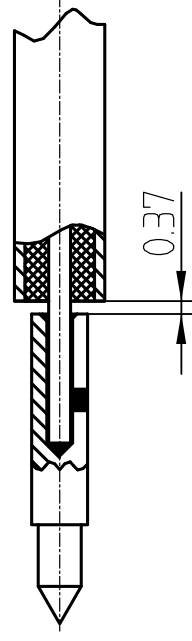
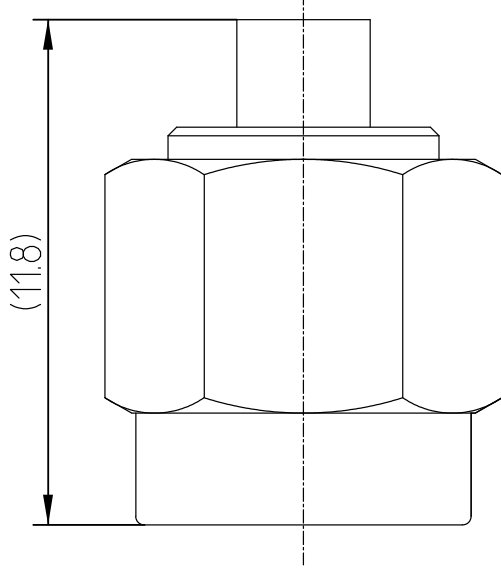


This document contains proprietary information and such information may not be disclosed to others for any purposes, not used for sales/marketing/procurement purposes without written permission

- 1 Electrical
 - 1.1 Impedence 50 Ω
 - 1.2 Frequency DC ~6GHz
 - 1.3 VSWR 1.25:1
- 2 Environmental&Mechanical
 - 2.1 Temperature range -40 °c ~+70 °c
 - 2.2 RoHs Compliant Yes
 - 2.3 Durability >500 cycles

- 3 Materials&plating
 - 3.1 Body: Brass, Suco-Plated
 - 3.2 Insulator: Teflon,
 - 3.3 Contact Pin: Brass, Gold plated
 - 3.4 Nut: Brass, Suco-Plated
 - 3.5 Gasket: Silicon Rubber (red color)



Notes:

1. ALL SPECIFICATIONS ARE SUBJECT TO CHANGE NOTICE AT ANY TIME
2. CUSTOMER OUTLINE DRAWING FOR REFERENCE ONLY

REV	DESCRIPTION OF REVISION	ECN NO.	BY	DATE	APPROVED
A	Initial Release		T. Haiyum	18/3/11	18/3/11
B	New Release		T. Haiyum	23/5/14	23/5/14

DRAWN : T. Haiyum 18/3/11 ENGINEER: C. Tao 18/3/11 APPROVED : W. Qiang 18/3/11 TOLERANCES UNLESS OTHERWISE SPECIFIED X ±0.50 .X ±0.20 .XX ±0.10 ANGLES ±°	TITLE: RF Coaxial Connector SMA Male Conn. for .086 Cable	 www.tentul.com
PART NO: SMA-JB2C SIZE: A4 SCALE: N/A SHEET: 1/1 REV: A	 DIMENSION IN MILLIMETERS (mm)	