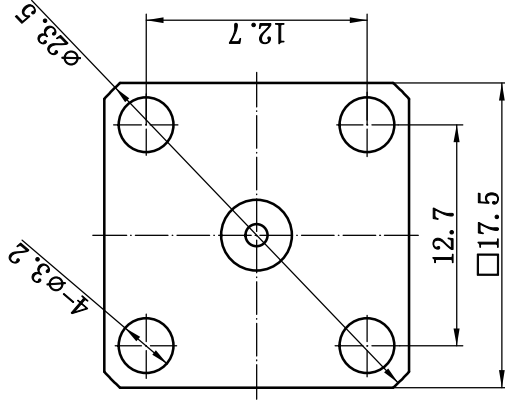
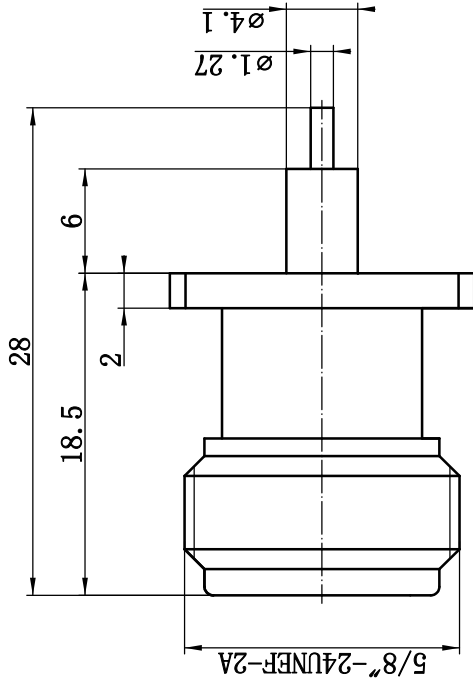


This document contains proprietary information and such information may not be disclosed to others for any purposes, not used for sales/marketing/procurement purposes without written permission

REV	DESCRIPTION OF REVISION	ECN NO.	BY	DATE	APPROVED
A	Initial Release		T. Shihua	28/04/15	28/04/15



- 1 Electrical
  - 1.1 Impedence 50 Ω
  - 1.2 Frequency DC~11GHz
  - 1.3 Dielectric withstanding voltage 1500V (volts RMS)
  - 1.4 Center contact resistance ≤ 1MΩ
  - 1.5 Outer contact resistance ≤ 0.2MΩ
  - 1.6 Insulation resistance: >5000MΩ
- 2 Environmental&Mechanical
  - 2.1 Temperature range -55℃~125℃
  - 2.2 RoHS Compliant
  - 2.3 Durability >500 cycles
- 3 Materials&Finish
  - 3.1 Body: Brass, Nickel-plated
  - 3.2 Insulator: Teflon
  - 3.3 Contact Pin: Bronze, gold plated

**Notes:**

1. ALL SPECIFICATIONS ARE SUBJECT TO CHANGE NOTICE AT ANY TIME
2. CUSTOMER OUTLINE DRAWING FOR REFERENCE ONLY

DRAWN: T. Shihua 28/04/15

ENGINEER: C. Tao 28/04/15

APPROVED: W. Qiang 28/04/15

TOLERANCES UNLESS OTHERWISE SPECIFIED

X	±0.50
.X	±0.20
.XX	±0.10
ANGLES	±1°

TITLE:

RF Coaxial Connector

N Female Straight Flange Connector

PART NO: N-KFD6



www.rf-connector-china.com



DIMENSION IN MILLIMETERS (mm)

SCALE: N/A

SHEET: 1/1

REV: A