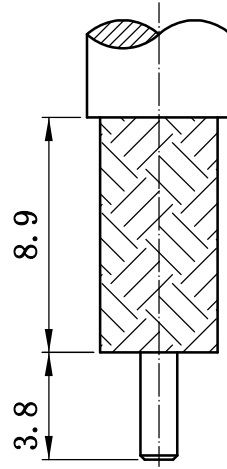
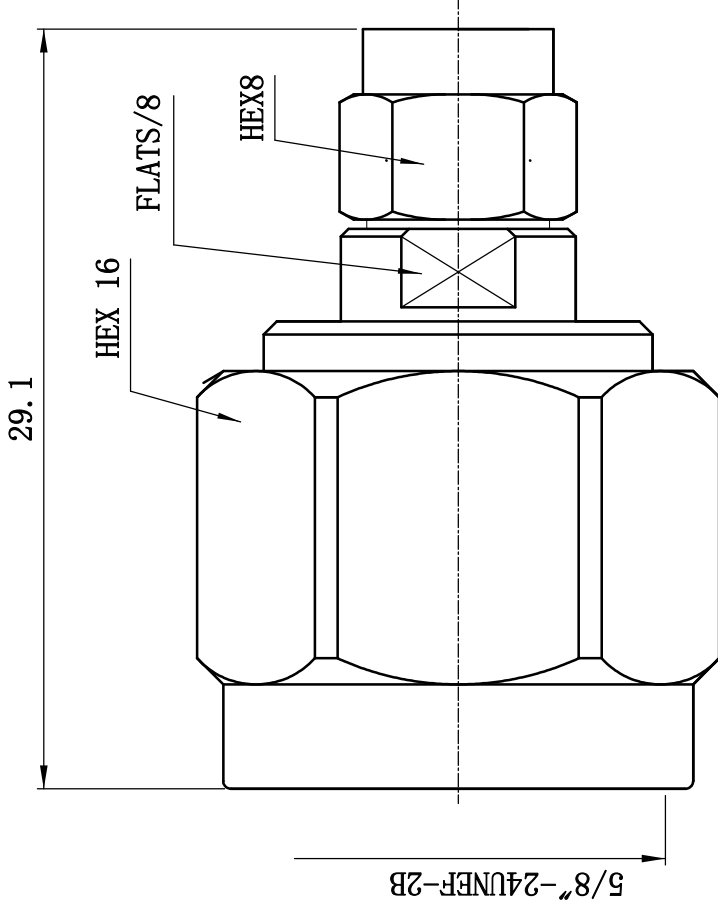


This document contains proprietary information and such information may not be disclosed to others for any purposes, not used for sales/marketing/procurement purposes without written permission



- 1 Electrical
 - 1.1 Impedence 50 Ω
 - 1.2 Frequency 0~6GHz
 - 1.3 VSWR 1.20:1
- 2 Environmental&Mechanical
 - 2.1 Temperature range -40℃~125℃
 - 2.2 RoHs Compliant
 - 2.3 Durability >500 cycles
- 3 Materials&plating
 - 3.1 Body: Brass, Suco-plated
 - 3.2 Insulator: Teflon
 - 3.3 Contact Pin: Brass, Gold plated
 - 3.4 Housing: Brass, Suco-plated
 - 3.5 Coupling nut: Brass, Suco-plated

REV	DESCRIPTION OF REVISION	ECN NO.	BY	DATE	APPROVED
A	Initial Release		T. Shihua	15/02/08	15/02/08

DRAWN: T. Shihua 15/02/08
ENGINEER: C. Tao 15/02/08
APPROVED: W. Qiang 15/02/08
TOLERANCES UNLESS OTHERWISE SPECIFIED
X ±0.50
X ±0.20
XX ±0.10
ANGLES °R

TITLE:
RF Coaxial Connector
N male Conn. For RG142-PUR cable



DIMENSION IN MILLIMETERS (mm)

PART NO: N-J142A	SCALE: N/A	SHEET: 1/1	REV: A
------------------	------------	------------	--------

Notes:

- 1. ALL SPECIFICATIONS ARE SUBJECT TO CHANGE NOTICE AT ANY TIME
- 2. CUSTOMER OUTLINE DRAWING FOR REFERENCE ONLY