

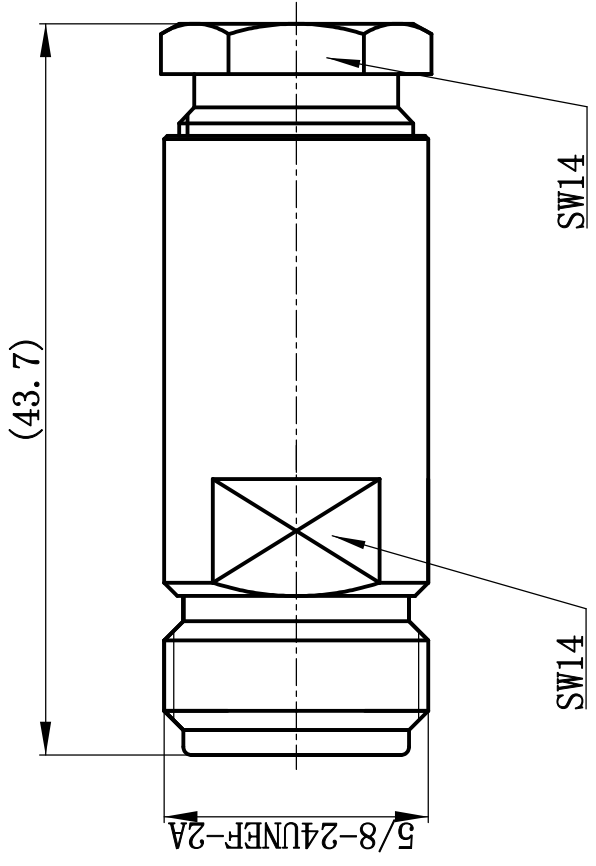
This document contains proprietary information and such information may not be disclosed to others for any purposes, not used for sales/marketing/procurement purposes without written permission

REV	DESCRIPTION OF REVISION	ECN NO.	BY	DATE	APPROVED
A	Initial Release		T. Shihua	07/04/16	07/04/16

- 1 Electrical
  - 1.1 Impedence 50 Ω
  - 1.2 Frequency 0~6GHz
  - 1.3 VSWR 1.30:1



- 2 Environmental&Mechanical
  - 2.1 Temperature range -45°C~125°C
  - 2.2 RoHs Compliant
  - 2.3 Durability >500 cycles

- 3 Materials&plating
  - 3.1 Body: Brass, nickel plated
  - 3.2 Insulator: Teflon
  - 3.3 Contact Pin: Bronze, Gold plated
  - 3.4 O-Ring: Silicon Rubber



**Notes:**

1. ALL SPECIFICATIONS ARE SUBJECT TO CHANGE NOTICE AT ANY TIME
2. CUSTOMER OUTLINE DRAWING FOR REFERENCE ONLY

DRAWN: T. Shihua 07/04/16 ENGINEER: C. Tao 07/04/16 APPROVED: W. Qiang 07/04/16 TOLERANCES UNLESS OTHERWISE SPECIFIED X ±0.50 .X ±0.20 .XX ±0.10 ANGLES ±1°	<b>TITLE:</b> RF Coaxial Connector N female Conn. For RG58 Cable	 www.rf-connector-china.com
PART NO: N-K6A	SCALE: N/A	DIMENSION IN MILLIMETERS (mm) 
SHEET: 1/1	REV: A	SIZE: A4