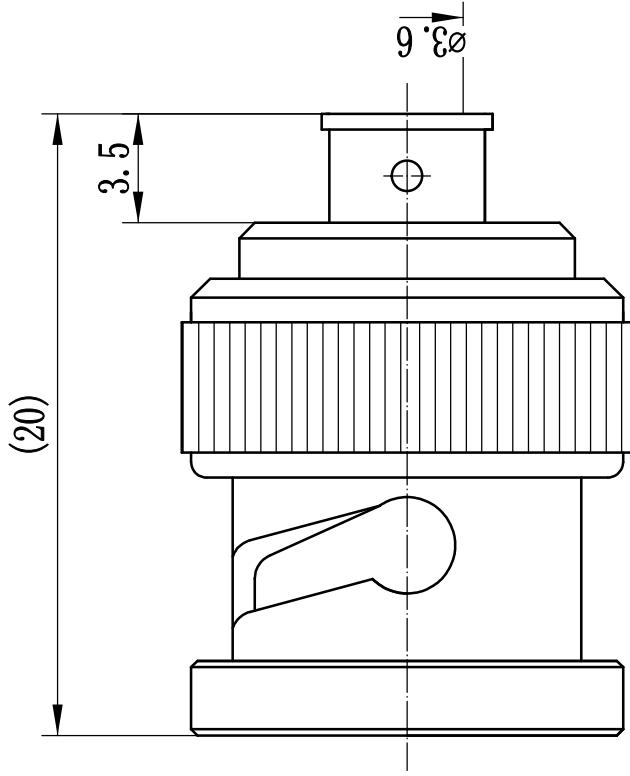
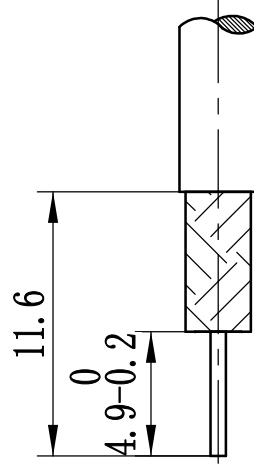


This document contains proprietary information and such information may not be disclosed to others for any purposes, not used for sales/marketing/procurement purposes without written permission



Recommended Cable Stripping Dimension



Notes:

1. ALL SPECIFICATIONS ARE SUBJECT TO CHANGE NOTICE AT ANY TIME
2. CUSTOMER OUTLINE DRAWING FOR REFERENCE ONLY

REV	DESCRIPTION OF REVISION	BY	DATE
A	Initial Release	T. Shibus	18/09/13

- 1 Electrical
 - 1.1 Impedence 50 Ω
 - 1.2 Frequency DC-4GHz
 - 1.3 Dielectric withstanding voltage 1000V(volts RMS)
 - 1.4 Center contact resistance $\leq 3M\Omega$
 - 1.5 Outer contact resistance $\leq 2M\Omega$
 - 1.6 Insulation resistance: $\geq 5000M\Omega$
 - 1.7 VSWR $\leq 1.15+0.02F$
- 2 Environmental&Mechanical
 - 2.1 Temperature range -45°e~125°e
 - 2.2 RoHs Compliant
 - 2.3 Durability >500 cycles
- 3 Materials&plating
 - 3.1 Body: Brass, Suco-plated
 - 3.2 Insulator: Teflon
 - 3.3 Contact Pin: Brass, Gold plated
 - 3.4 Coupling Nut: Brass, Suco-plated

DRAWN: T. Shibus 18/09/13	TITLE: RF Coaxial Connector
ENGINEER: C. Tao 18/09/13	RF Coaxial Connector
APPROVED: H. Qiang 18/09/13	BNC Male Conn. for .141/RG402 Cable
TOLERANCES UNLESS OTHERWISE SPECIFIED X ±0.50 .X ±0.20 .XX ±0.10 ANGLES °±°	DIMENSION IN MILLIMETERS (mm)

		www.rf-connector-china.com	
PART NO: BNC-JB3-F		SCALE: N/A	SHEET: 1/1
REV: A		APPROVED: 18/09/13	