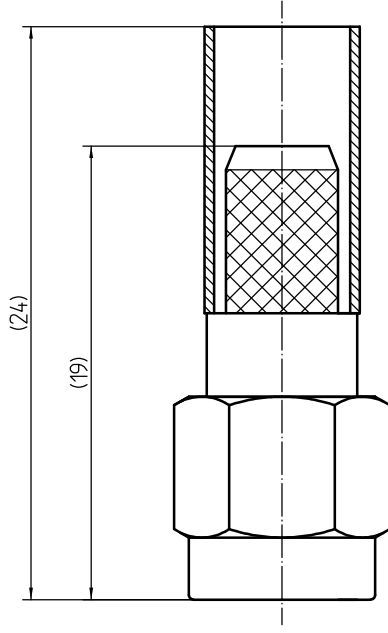


This document contains proprietary information and such information may not be disclosed to others for any purposes, not used for sales/marketing/procurement purposes without written permission

- 1 Electrical
- 1.1 Impedence 50 Ω
- 1.2 Frequency DC ~12GHz
- 1.3 VSWR $\leq 1.15 + 0.02F$

- 2 Environmental & Mechanical
- 2.1 Temperature range -40 $^{\circ}C$ ~ +125 $^{\circ}C$
- 2.2 RoHS Compliant
- 2.3 Durability >500 cycles

- 3 Materials & plating
- 3.1 Body: Stainless Steel, Passivated
- 3.2 Insulator: Teflon
- 3.3 Contact Pin: Beryllium-copper, Gold plated
- 3.4 Nut: Stainless Steel, Passivated
- 3.5 Gasket: Silicon Rubber (red color)
- 3.6 Ferrule: Copper, Nickel plated



Notes:

- 1. ALL SPECIFICATIONS ARE SUBJECT TO CHANGE NOTICE AT ANY TIME
- 2. CUSTOMER OUTLINE DRAWING FOR REFERENCE ONLY

REV	DESCRIPTION OF REVISION	ECN NO.	BY	DATE	APPROVED
A	Initial Release		T. Haiyum	26/11/12	26/11/12

DRAWN: T. Haiyum 26/11/12		TITLE: RF Coaxial Connector		www.rf-connector-china.com	
ENGINEER: C. Tao 26/11/12		SMA Male Conn. for RG58 Cable		DIMENSION IN MILLIMETERS (mm)	
APPROVED: W. Qiang 26/11/12		Cr imp		SCALE: N/A	
TOLERANCES UNLESS OTHERWISE SPECIFIED		PART NO: SMA-J5-BG		SHEET: 1/1	
X	+0.50			REV: A	
.X	+0.20				
.XX	+0.10				
ANGLES	*°				



SIZE: A4
SCALE: N/A
SHEET: 1/1
REV: A