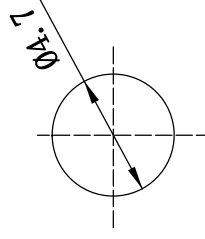
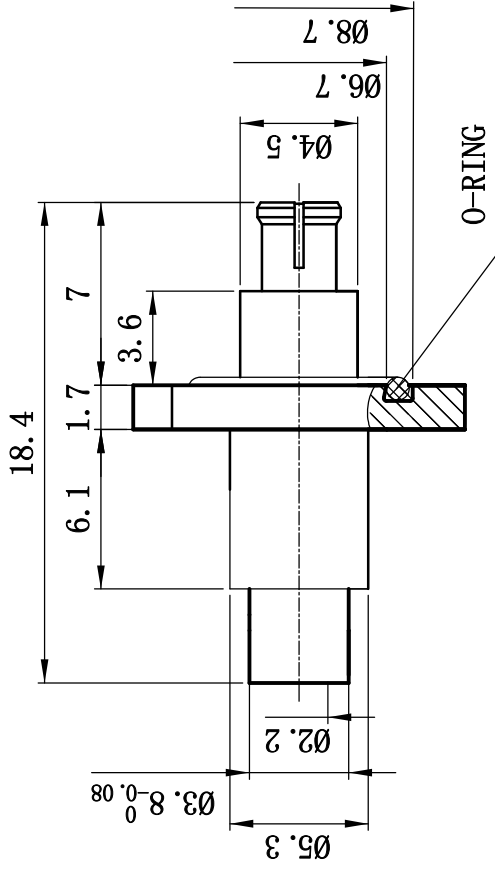
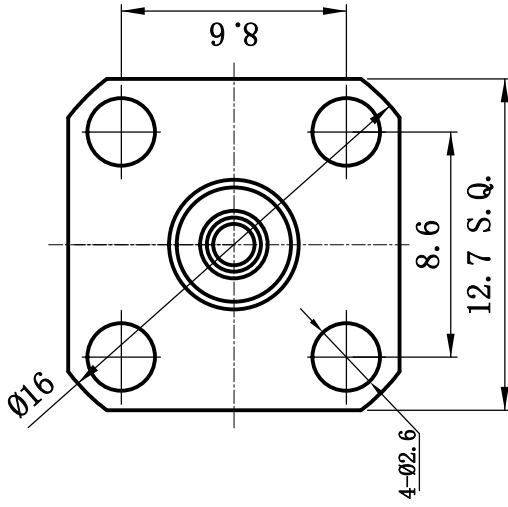


This document contains proprietary information and such information may not be disclosed to others for any purposes, not used for sales/marketing/procurement purposes without written permission

- 1 Electrical
 - 1.1 Impedance: 50 Ω
 - 1.2 Frequency: DC~6GHz
 - 1.2 Dielectric withstanding voltage: 1000V (volts RMS)
 - 1.3 Center contact resistance: ≤ 3MΩ
 - 1.4 Outer contact resistance: ≤ 2MΩ
 - 1.5 Insulation resistance: ≥ 5000MΩ
- 2 Environmental & Mechanical
 - 2.1 Temperature range: -45 °C ~ 85 °C
 - 2.2 RoHS Compliant
 - 2.3 Durability: > 500 cycles
- 3 Materials & plating
 - 3.1 Body: Brass, Gold Plated
 - 3.2 Insulator: Teflon
 - 3.3 Contact Pin: Beryllium Copper Gold plated
 - 3.4 Spring Contact: Beryllium Copper Gold plated
 - 3.5 Gasket: Silicon Rubber
- 4 Compliant with IP67 Requirement



Panel Mount Recommendation

DRAWN: T. Shihua 14/08/18
ENGINEER: C. Tao 14/08/18
APPROVED: W. Qiang 14/08/18
TOLERANCES UNLESS OTHERWISE SPECIFIED
X ±0.50
.X ±0.20
.XX ±0.10
ANGLES ±1°

TITLE:	
RF Coaxial Connector	
SMP Female flange Conn.	
For .086/RG405 Cable	
PART NO: SMP-KF62M	

STEREN	
DIMENSION IN MILLIMETERS (mm)	
SIZE: A4	SCALE: N/A
SHEET: 1/1	REV: A

Notes:

1. ALL SPECIFICATIONS ARE SUBJECT TO CHANGE NOTICE AT ANY TIME
2. CUSTOMER OUTLINE DRAWING FOR REFERENCE ONLY