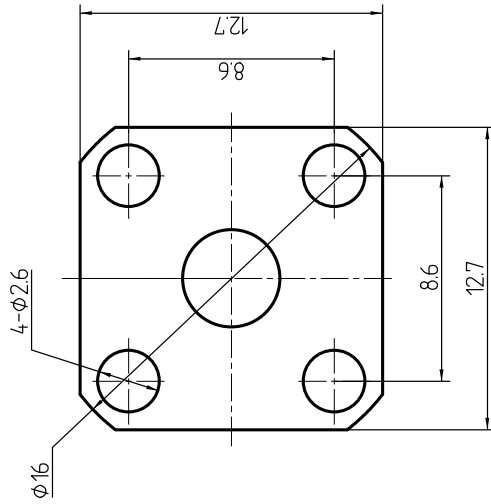
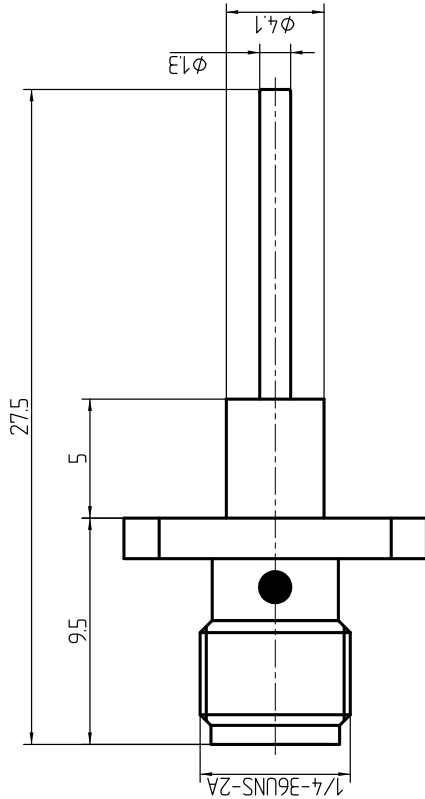
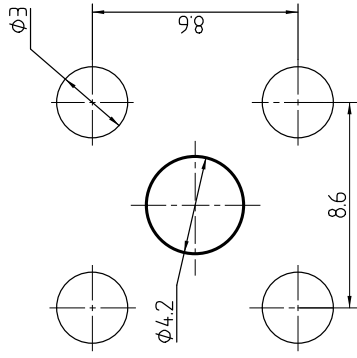


This document contains proprietary information and such information may not be disclosed to others for any purposes, not used for sales/marketing/procurement purposes without written permission



Recommended Mounting Hole



1 Electrical

- 1.1 Impedance 50 Ω
- 1.2 Frequency DC~18GHz
- 1.3 VSWR 1.20:1

2 Environmental&Mechanical

- 2.1 Temperature range -45℃~125℃
- 2.2 RoHS Compliant Yes
- 2.3 Durability >500 cycles

3 Materials&plating

- 3.1 Body: Brass; Gold, plated
- 3.2 Insulator: Teflon
- 3.3 Contact Pin: Beryllium Copper; Gold,plated

Notes:

- 1. ALL SPECIFICATIONS ARE SUBJECT TO CHANGE NOTICE AT ANY TIME
- 2. CUSTOMER OUTLINE DRAWING FOR REFERENCE ONLY

REV	DESCRIPTION OF REVISION	ECN NO.	BY	DATE	APPROVED
A	Initial Release		T. Haiyuu	16/8/16	16/8/16

DRAWN :	T. Haiyuu 16/8/16
ENGINEER :	C. Tao 16/8/16
APPROVED :	W. Qiang 16/8/16
TOLERANCES UNLESS OTHERWISE SPECIFIED	X ±0.50
	.X ±0.20
	.XX ±0.10
ANGLES	*°

TITLE:		RF Coaxial Connector
SMA Female Mount		Flange Connector
PART NO:	SMA-KFD22B	
SIZE:	A4	
SCALE:	N/A	
SHEET:	1/1	
REV:	A	



www.qrl.com



DIMENSION IN MILLIMETERS (mm)

4

3

2

1

4

3

2

1