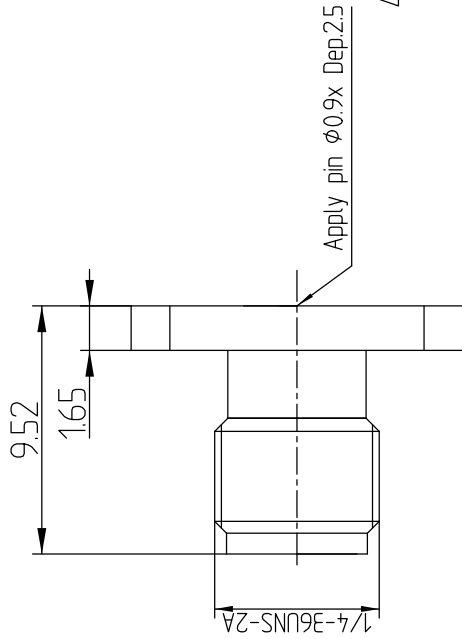


This document contains proprietary information and such information may not be disclosed to others for any purposes, not used for sales/marketing/procurement purposes without written permission



- 1 Electrical
- 1.1 Impedance 50 Ω
- 1.2 Frequency DC ~18GHz
- 1.2 Dielectric withstanding voltage 1000V (volts RMS)
- 1.3 Center contact resistance $\leq 3\text{M}\Omega$
- 1.4 Outer contact resistance $\leq 2\text{M}\Omega$
- 1.5 Insulation resistance: $\geq 5000\text{M}\Omega$
- 1.6 VSWR 1.05+0.005f(GHZ)

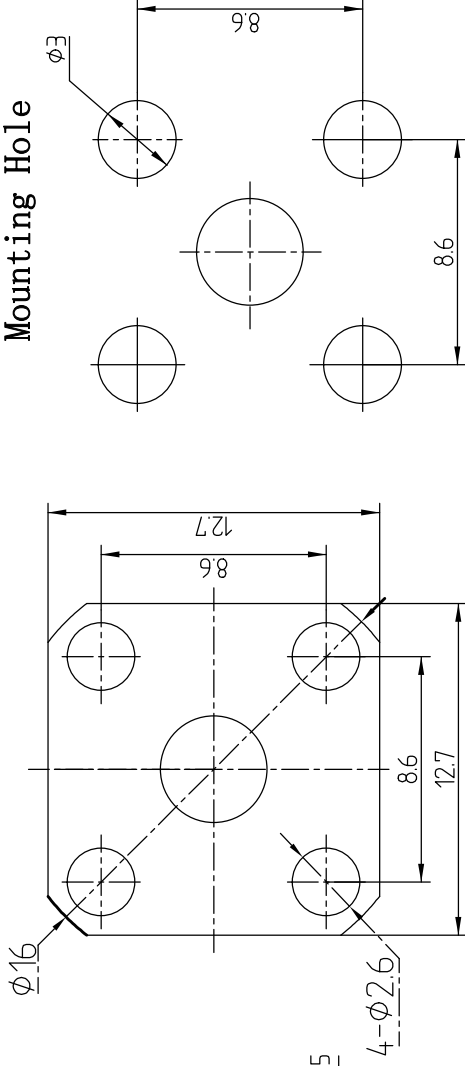
2 Environmental & Mechanical

- 2.1 Temperature range -45 $^{\circ}$ C ~125 $^{\circ}$ C
- 2.2 RoHS Compliant
- 2.3 Durability >500 cycles

3 Materials & Plating

- 3.1 Body: Stainless Steel, Passivated
- 3.2 Insulator: Teflon
- 3.3 Contact Pin: Beryllium-copper, Gold plated

Recommended Mounting Hole



REV	DESCRIPTION OF REVISION	ECN NO.	BY	DATE	APPROVED
A	Initial Release		T. Haiyum	15/09/17	15/09/17

DRAWN: T. Haiyum 15/09/17		TITLE: RF Coaxial Connector	
ENGINEER: C. Tao 15/09/17		www.rf-conector-china.com	
APPROVED: W. Qiang 12/07/08		SMA Female Flange Conn. for Dia. 0.8 Pin	
TOLERANCES UNLESS OTHERWISE SPECIFIED		DIMENSION IN MILLIMETERS (mm)	
X	+0.50	A4	SCALE: N/A
.X	+0.20	A4	SCALE: 1/1
.XX	+0.10	A4	SCALE: 1/1
ANGLES	*°	A4	SCALE: 1/1
PART NO: SMA-KFD0-9G-A		REV: A	

Notes:

1. ALL SPECIFICATIONS ARE SUBJECT TO CHANGE NOTICE AT ANY TIME
2. CUSTOMER OUTLINE DRAWING FOR REFERENCE ONLY