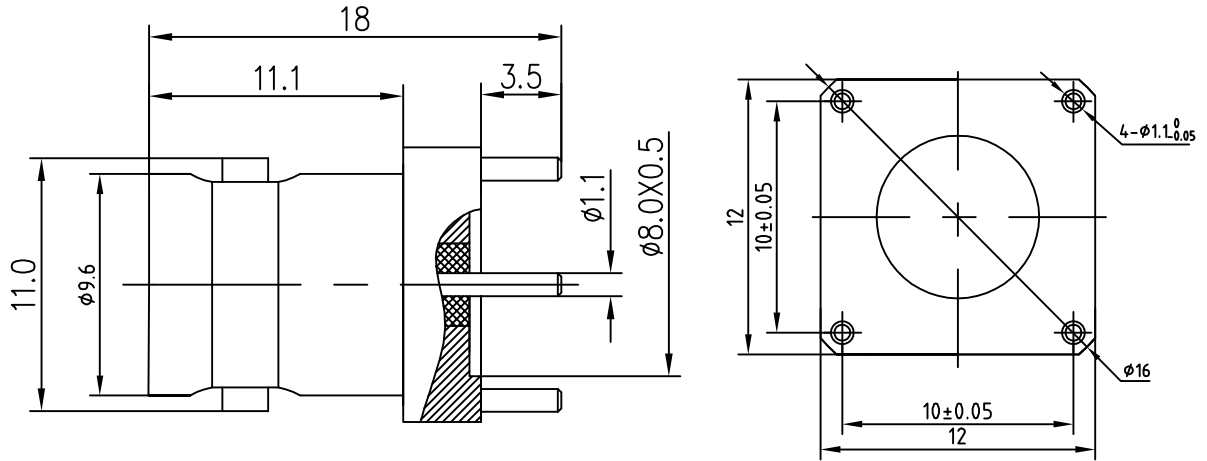


This document contains proprietary information and such information may not be disclosed to others for any purposes, nor used for sales/marketing/procurement purposes without written permission



1. 电气性能:

1. 特性阻抗: 50 Ω
1. 频率: DC~2GHz
2. 中心导体接触电阻: 1.5 MΩ max
3. 外导体接触电阻: 1 MΩ max
4. 介质耐压: 1500V
5. 绝缘电阻: 5000MΩ min

2. 材料&涂覆

1. 中心导体: 黄铜镀金 (48小时金)
2. 外壳: 黄铜镀镍 3μm
3. 绝缘材料: PTFE

3. 包装

1. 包装: 1pc/袋
2. 外箱: 瓦楞纸箱, 外贴包装内容

FIRST ANGLE PROJECTION		SCALE	BNC-KHD RF Coaxial Connector	UNITS	UNLESS OTHERWISE SPECIFIED DIMENSIONS ARE mm, TOLERANCES ARE: FRACTIONS DECIMALS ANGLES
THIRD ANGLE PROJECTION		N/A		mm	
	NAME	DATE	丹阳特瑞莱电子有限公司	REV	.X± .20± 1°
DRAWN	Tomson Tang	24-Feb-16		V1.0	.XX± .10
CHECKED	Mike Wang	24-Feb-16			.XXX±
APPROVED	Teresa Ma	24-Feb-16			