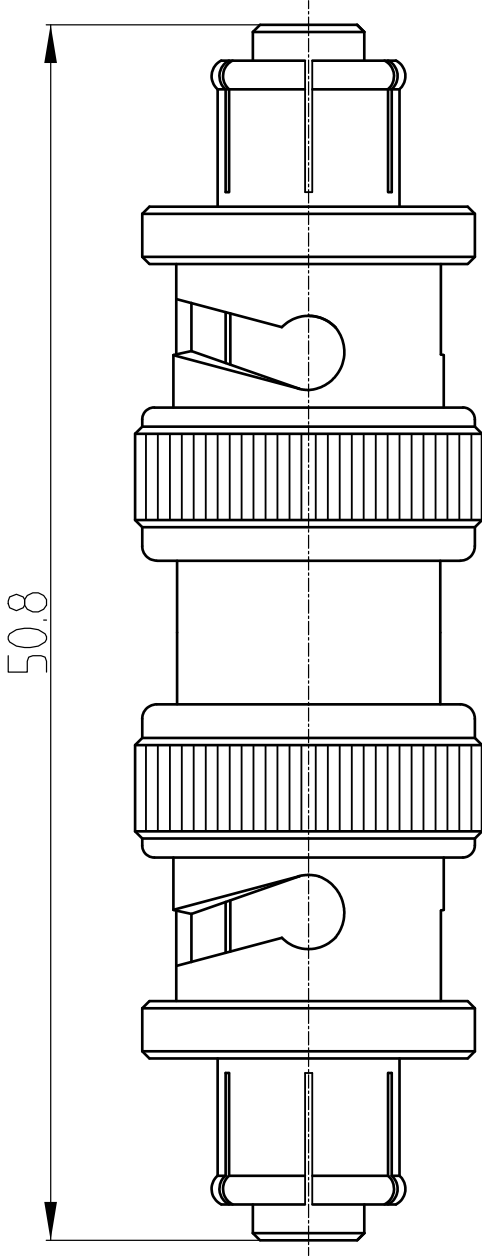


This document contains proprietary information and such information may not be disclosed to others for any purposes, not used for sales/marketing/procurement purposes without written permission

REV	DESCRIPTION OF REVISION	ECN NO.	BY	DATE	APPROVED
A	Initial Release		T. Shihua	17/12/14	17/12/14



1 Electrical

- 1.1 Impedance: 75  $\Omega$
- 1.2 Frequency: 0-0.3GHz

2 Environmental

- 2.1 Temperature -45° to 125°
- 2.2 RoHS compliant

3 Material&Finish

- 3.1 Inner Contact: brass, gold plated
- 3.2 Outer Contact: brass, nickel plated
- 3.3 Insulators: PTFE

Notes:

- 1. ALL SPECIFICATIONS ARE SUBJECT TO CHANGE NOTICE AT ANY TIME
- 2. CUSTOMER OUTLINE DRAWING FOR REFERENCE ONLY

DRAWN : T. Shihua 17/12/14

ENGINEER: C. Tao 17/12/14

APPROVED : W. Qiang 17/12/14

TOLERANCES UNLESS OTHERWISE SPECIFIED  
 X ±0.50  
 .X ±0.20  
 .XX ±0.10  
 ANGLES °

TITLE:  
 RF Coaxial Connector

SHV Female to Female adapter



www.tendel.com



DIMENSION IN MILLIMETERS (mm)

SIZE: A4 SCALE: N/A SHEET: 1/1 REV: A

PART NO: SHV-KK