

This document contains proprietary information and such information may not be disclosed to others for any purposes, not used for sales/marketing/procurement purposes without written permission

| REV | DESCRIPTION OF REVISION | ECN NO. | BY | DATE | APPROVED |
|-----|-------------------------|---------|----------|---------|----------|
| A | Initial Release | | T.Shihua | 16/6/15 | 16/6/15 |

1 Electrical data

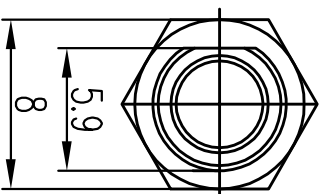
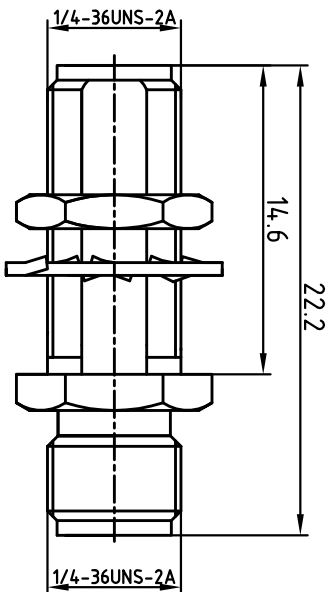
- 1.1 Impedance: 50Ω
- 1.2 Frequency: DC-6GHz
- 1.3 VSWR 1.2:1

2 Mechanical data

- 2.1 Temperature range -45°C ~+85°C
- 2.2 Durability(matings) >500

3 Material&Finish

- 3.1 Pin contact: Beryllium-copper, gold plated
- 3.2 Body: Brass gold plated
- 3.3 Insulators: PTFE



Notes:

- 1. ALL SPECIFICATIONS ARE SUBJECT TO CHANGE NOTICE AT ANY TIME
- 2. CUSTOMER OUTLINE DRAWING FOR REFERENCE ONLY

| | |
|---------------------------------------|------------------|
| DRAWN: | T.Shihua 16/6/15 |
| ENGINEER: | C.Too 16/6/15 |
| APPROVED: | W.Qiang 16/6/15 |
| TOLERANCES UNLESS OTHERWISE SPECIFIED | |
| X | ±0.30 |
| .X | ±0.20 |
| .XX | ±0.10 |
| ANGLES | ±1° |

| | |
|----------|--|
| TITLE: | RF Adaptor SMA Female to Female Bulkhead Adaptor |
| PART NO: | SMA-KYKA |

| | | | | | | | | | | |
|--|--|-------------------------------|-------|----|--------|-----|--------|-----|------|---|
| | | DIMENSION IN MILLIMETERS (mm) | SIZE: | A4 | SCALE: | N/A | SHEET: | 1/1 | REV: | A |
| | | | | | | | | | | |