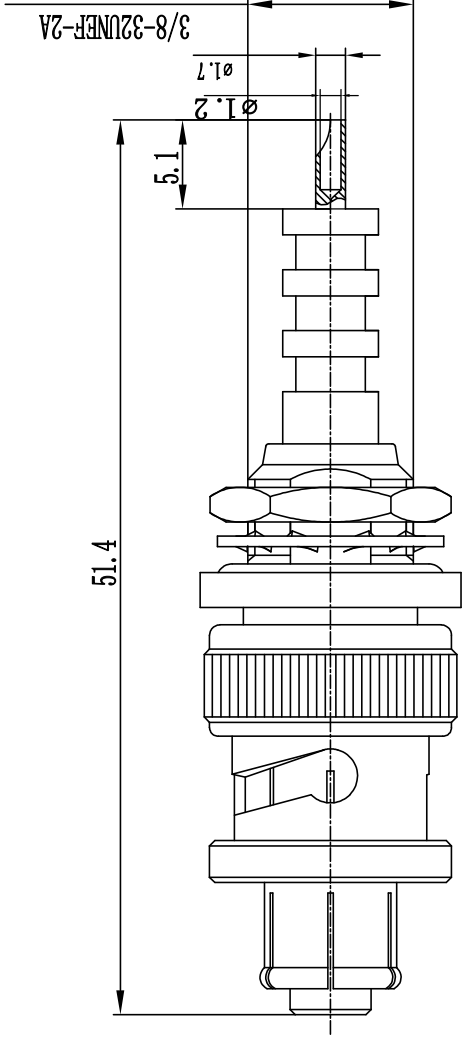


This document contains proprietary information and such information may not be disclosed to others for any purposes, not used for sales/marketing/procurement purposes without written permission

- 1 Electrical
 - 1.1 Impedance: 50 Ω
 - 1.2 Frequency: DC-300MHz
- 2 Mechanical
 - 2.1 Center contact: solder
- 3 Environmental
 - 3.1 RoHs compliant
 - 3.2 Operating temperature -65° to 165°
- 4 Material&Finish
 - 4.1 Inner Contact: phosphor bronze, gold plated
 - 4.2 Outer Contact: nickel, gold plated
 - 4.3 Insulators: PTFE



Notes:

1. ALL SPECIFICATIONS ARE SUBJECT TO CHANGE NOTICE AT ANY TIME
2. CUSTOMER OUTLINE DRAWING FOR REFERENCE ONLY

REV	DESCRIPTION OF REVISION	ECN NO.	BY	DATE	APPROVED
A	Initial Release		T. Shihua	18/02/14	18/02/14

DRAWN: T. Shihua 18/02/14 ENGINEER: C. Tao 18/02/14 APPROVED: W. Qiang 18/02/14 TOLERANCES UNLESS OTHERWISE SPECIFIED X ±0.50 .X ±0.20 .XX ±0.10 ANGLES ±1°	TITLE: RF Coaxial Connector SHV Female Bulkhead Connector For Terminal	 www.rf-connector-china.com
PART NO: SHV-KYD2	DIMENSION IN MILLIMETERS (mm)	
SIZE: A4 SCALE: N/A SHEET: 1/1 REV: A		