

This document contains proprietary information and such information may not be disclosed to others for any purposes, not used for sales/marketing/procurement purposes without written permission

REV	DESCRIPTION OF REVISION	ECN NO.	BY	DATE	APPROVED
A	Initial Release	—	T.Shihua	17/02/12	17/02/12

1 Electrical

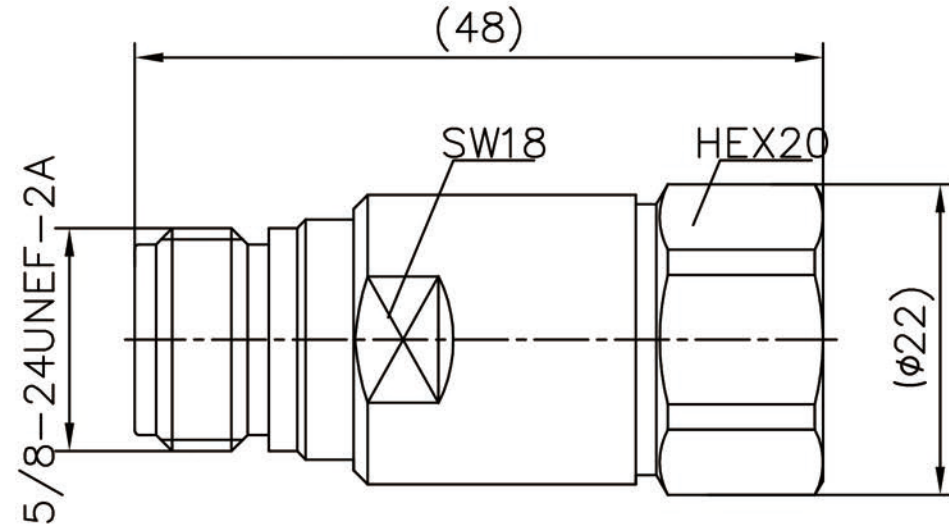
- 1.1 Impedance 50Ω
- 1.2 Frequency DC-3GHz
- 1.3 Dielectric withstanding voltage 1500V(volts RMS)
- 1.4 Center contact resistance ≤ 1MΩ
- 1.5 Outer contact resistance ≤ 0.2MΩ
- 1.6 Insulation resistance: ≥5000MΩ
- 1.7 VSWR ≤1.15

2 Environmental&Mechanical

- 2.1 Temperature range -55℃~155℃
- 2.2 RoHs Compliant
- 2.3 Durability >500 cycles



3 Materials&plating

- 3.1 Body: Brass, nickel plated
- 3.2 Insulator: Teflon
- 3.3 Contact Pin: Phosphor bronze, Silver plated
- 3.4 Housing: Brass, nickel plated
- 3.5 Coupling Nut: Brass, nickel plated
- 3.6 Gasket: Silicon rubber (red color)



Notes:

- 1. ALL SPECIFICATIONS ARE SUBJECT TO CHANGE NOTICE AT ANY TIME
- 2. CUSTOMER OUTLINE DRAWING FOR REFERENCE ONLY

DRAWN: T.Shihua 17/02/12	TITLE:	 www.rf-connector-china.com
ENGINEER: C.Tao 17/02/12	RF Coaxial Connector	
APPROVED: W.Qiang 17/02/12	N Female Straight Conn. for 1/2" feeder Cable	
TOLERANCES UNLESS OTHERWISE SPECIFIED X ±0.50 .X ±0.20 JXX ±0.10 ANGLES ±1°		 DIMENSION IN MILLIMETERS (mm)
PART NO: N-K1/2A		SIZE: A4 SCALE: N/A SHEET: 1/1 REV: A