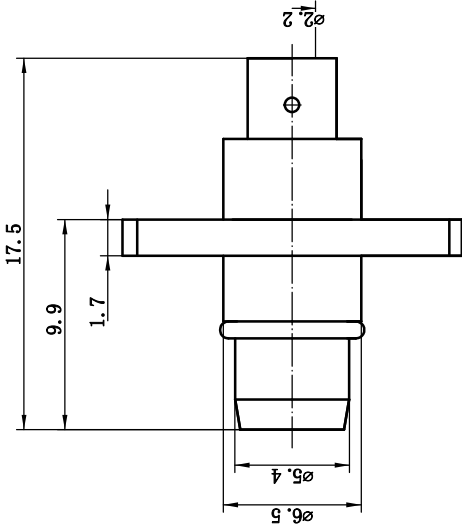
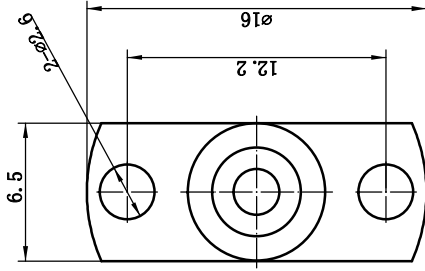


This document contains proprietary information and such information may not be disclosed to others for any purposes, not used for sales/marketing/procurement purposes without written permission

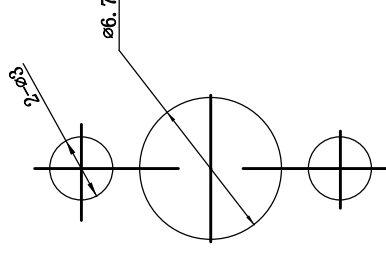


1 Electrical

- 1.1 Impedence 50Ω
- 1.2 Frequency DC~6GHz
- 1.3 Dielectric withstanding voltage 750V(rms)
- 1.4 Center contact resistance ≤3 MΩ
- 1.5 Outer contact resistance ≤2 MΩ
- 1.6 Insulation resistance: ≥5000 MΩ
- 1.7 VSWR ≤1.25:1



Mounting Hole



2 Material&Finish

- 2.1 Body: Brass, Gold Plated
- 2.2 Insulator: Teflon
- 2.3 Center Pin: Brass, Gold Plated

Notes:

- 1. ALL SPECIFICATIONS ARE SUBJECT TO CHANGE NOTICE AT ANY TIME
- 2. CUSTOMER OUTLINE DRAWING FOR REFERENCE ONLY

REV	DESCRIPTION OF REVISION	ECN NO.	BY	DATE	APPROVED
A	Initial Release		T. Shihua	01/07/16	01/07/16

DRAWN: T. Shihua 01/07/16	TITLE: RF Coaxial Connector				www.terulai.com
ENGINEER: C. Tao 01/07/16	RF Coaxial Connector				DIMENSION IN MILLIMETERS (mm)
APPROVED: W. Qiang 01/07/16	BMA Male Flange Conn. Terminal		SIZE: A4		SCALE: N/A
TOLERANCES UNLESS OTHERWISE SPECIFIED	PART NO: BMA-JFB2		SHEET: 1/1		REV: A
X ±0.50					
.X ±0.20					
.XX ±0.10					
ANGLES ±1°					