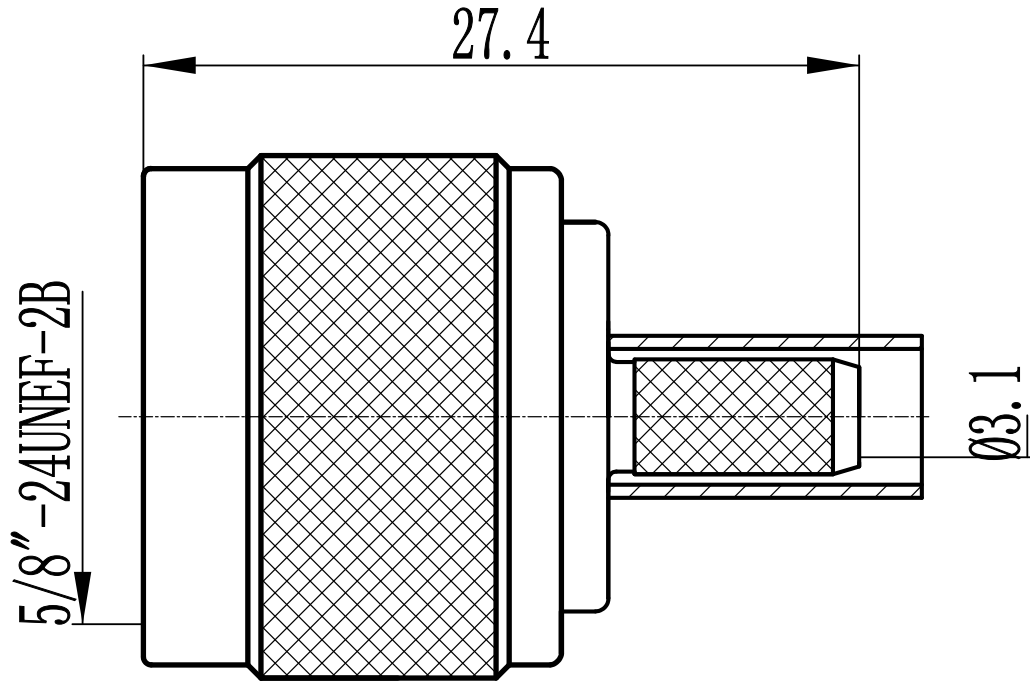


This document contains proprietary information and such information may not be disclosed to others for any purposes, not used for sales/marketing/procurement purposes without written permission



REV	DESCRIPTION OF REVISION	ECN NO.	BY	DATE	APPROVED
A	Initial Release	—	T. Shihua	15/02/08	15/02/08



- 1 Electrical
 - 1.1 Impedance 50 Ω
 - 1.2 Frequency 0~6GHz
 - 1.3 VSWR 1.30:1
- 2 Environmental&Mechanical
 - 2.1 Temperature range -40 $^{\circ}$ C~85 $^{\circ}$ C
 - 2.2 RoHS Compliant
 - 2.3 Durability >500 cycles
- 3 Materials&plating
 - 3.1 Body: Brass, nickel plated
 - 3.2 Insulator: Teflon
 - 3.3 Contact Pin: Brass, Gold plated
 - 3.4 Housing: Brass, nickel plated
 - 3.5 Coupling nut: Brass, nickel plated

Notes:

- 1. ALL SPECIFICATIONS ARE SUBJECT TO CHANGE NOTICE AT ANY TIME
- 2. CUSTOMER OUTLINE DRAWING FOR REFERENCE ONLY

DRAWN : T. Shihua 15/02/08 ENGINEER: C. Tao 15/02/08 APPROVED : W. Qiang 15/02/08	TITLE: RF Coaxial Connector N male Conn. For LMR200 cable	 www.trl-rf.com
TOLERANCES UNLESS OTHERWISE SPECIFIED X ± 0.50 .X ± 0.20 .XX ± 0.10 ANGLES $\pm 1^{\circ}$	 DIMENSION IN MILLIMETERS (mm)	
PART NO: N-J200YA	SIZE: A4	SCALE: 1:1 SHEET: 1/1 REV: A