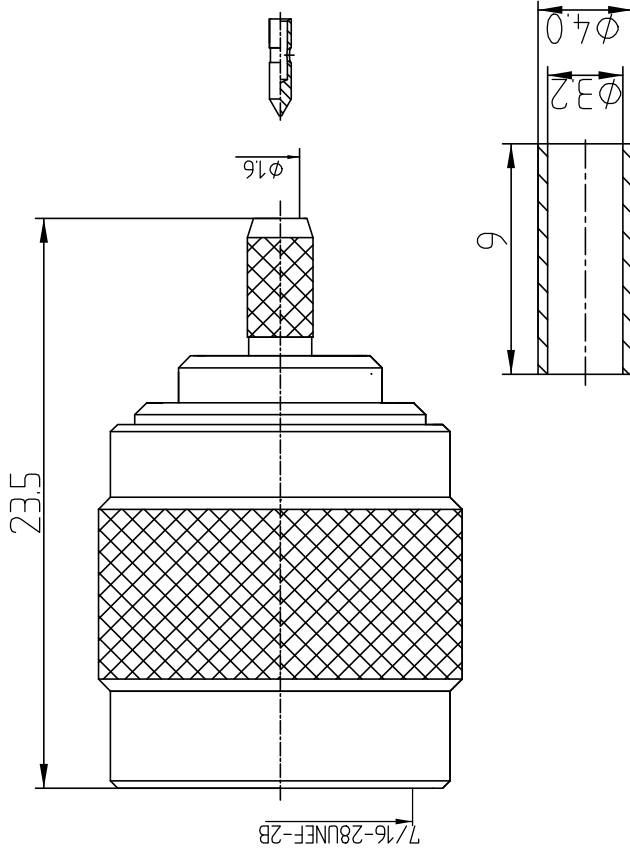


This document contains proprietary information and such information may not be disclosed to others for any purposes, not used for sales/marketing/procurement purposes without written permission

- 1 Electrical
  - 1.1 Impedence 50  $\Omega$
  - 1.2 Frequency DC~6GHz
  - 1.3 Dielectric withstanding voltage 1500V (volts RMS)
  - 1.4 Center contact resistance  $\leq 15M\Omega$
  - 1.5 Outer contact resistance  $\leq 0.2M\Omega$
  - 1.6 Insulation resistance:  $\geq 5000M\Omega$
- 2 Environmental&Mechanical
  - 2.1 Temperature range -40 $^{\circ}$ C~+70 $^{\circ}$ C
  - 2.2 RoHS Compliant
  - 2.3 Durability  $>500$  cycles
- 3 Materials&plating
  - 3.1 Body: Brass,Nickel plated
  - 3.2 Insulator: Teflon
  - 3.3 Contact Pin: Brass, Gold plated
  - 3.4 Nut: Brass, Nickel plated
  - 3.5 Gasket: Silicon Rubber ( red color)
  - 3.6 Ferrule: Copper, Nickel plated



**Notes:**

- 1. ALL SPECIFICATIONS ARE SUBJECT TO CHANGE NOTICE AT ANY TIME
- 2. CUSTOMER OUTLINE DRAWING FOR REFERENCE ONLY

REV	DESCRIPTION OF REVISION	ECN NO.	BY	DATE	APPROVED
A	Initial Release		T. Haiyun	26/02/09	26/02/09

DRAWN: T. Haiyun 26/02/09		TITLE: RF Coaxial Connector	
ENGINEER: C. Tao 26/02/09		www.rf-connector-china.com	
APPROVED: W. Qiang 26/02/09		TNC Male Conn. for RG174 Cable	
TOLERANCES UNLESS OTHERWISE SPECIFIED		Cr Imp	
X	+0.50	DIMENSION IN MILLIMETERS (mm)	
.X	+0.20	SCALE: N/A	
.XX	+0.10	SIZE: A4	
ANGLES	*°	SHEET: 1/1	
PART NO: TNC-J3Y		REV: A	