

This document contains proprietary information and such information may not be disclosed to others for any purposes, not used for sales/marketing/procurement purposes without written permission

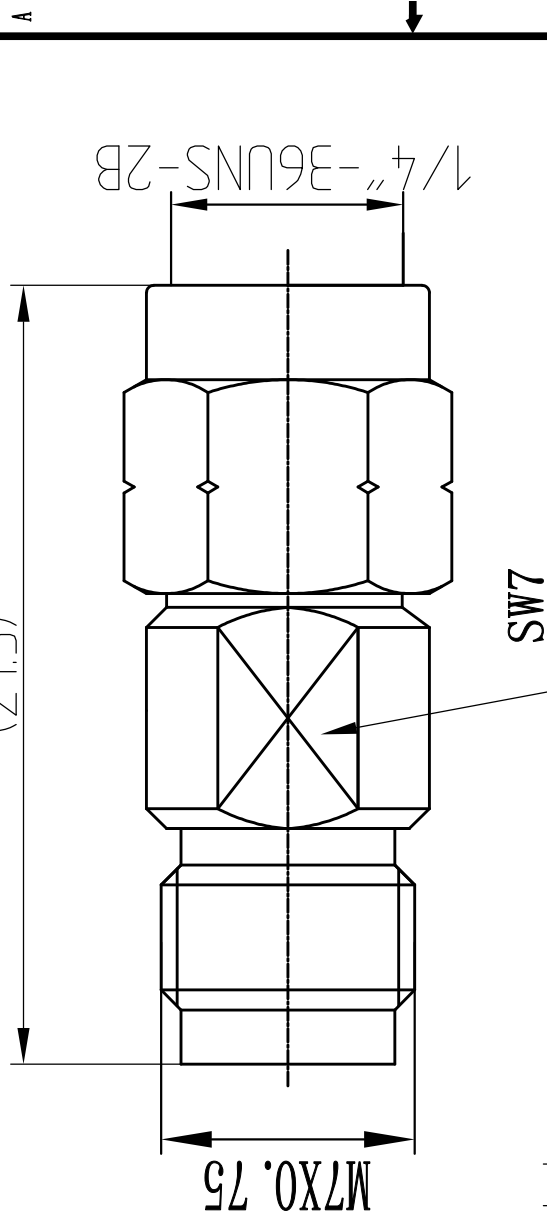
- 1 Electrical
- 1.1 Impedance: $50\ \Omega$
- 1.2 Frequency: DC-26.5GHz
- 1.3 VSWR: 1.25:1

- 2 Mechanical&Environmental
- 2.1 Temperature range $-45^{\circ}\text{C} \sim +85^{\circ}\text{C}$
- 2.2 Durability(matings) >500
- 2.3 RoHs Compliant Yes

- 3 Material&Finish
- 3.1 Pin contact: Beryllium-Copper, gold plated
- 3.2 Body: Stainless Steel, Passivated
- 3.3 Insulators: PEI

- 4 Interface Standards
- 4.1 2.4 IEEE STD 287-2007
- 4.2 3.5 IEC60169

(21,5)



Notes:

- 1. ALL SPECIFICATIONS ARE SUBJECT TO CHANGE NOTICE AT ANY TIME
- 2. CUSTOMER OUTLINE DRAWING FOR REFERENCE ONLY

REV	DESCRIPTION OF REVISION	ECN NO.	BY	DATE	APPROVED
A	Initial Release		T. Shihua	1/8/14	1/8/14

DRAWN: T. Shihua 1/8/14 ENGINEER: C. Tao 1/8/14 APPROVED: W. Qiang 1/8/14 TOLERANCES UNLESS OTHERWISE SPECIFIED X ± 0.50 .X ± 0.20 .XX ± 0.10 ANGLES $\neq 90^{\circ}$	TITLE: Precision Adapter 2.4 Female to 3.5 Male		www.taruilai.com DIMENSION IN MILLIMETERS (mm)
PART NO: 2.4/3.5-KJG	SCALE: N/A	SHEET: 1/1	REV: A