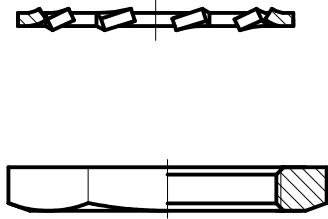
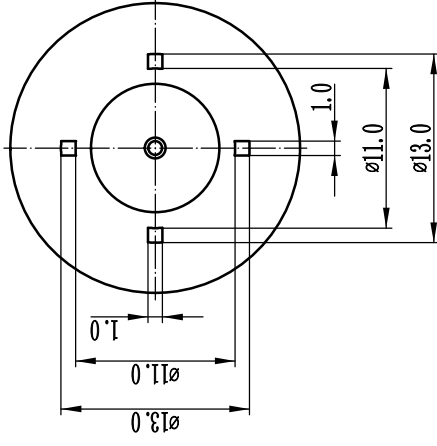
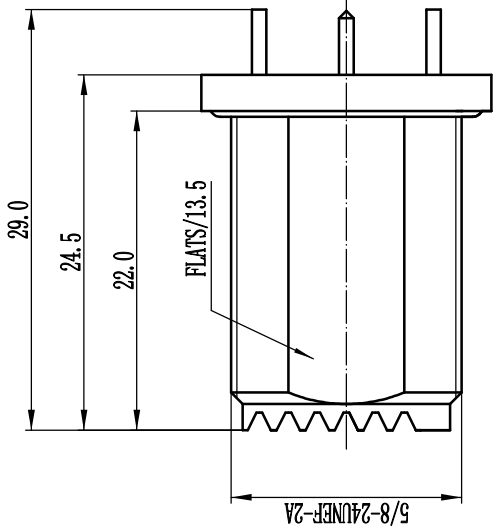


This document contains proprietary information and such information may not be disclosed to others for any purposes, not used for sales/marketing/procurement purposes without written permission

REV	DESCRIPTION OF REVISION	ECN NO.	BY	DATE	APPROVED
A	Initial Release		T. Shihua	17/02/14	17/02/14



1 Electrical

- 1.1 Frequency: DC-300MHz
- 1.2 Impedance: 50 Ω
- 1.3 Working voltage: ≤750V
- 1.4 Insulation resistance: ≥5000MΩ
- 1.5 Dielectric withstanding voltage: 2000V
- 1.6 Center contact resistance ≤ 5MΩ
- 1.7 Outer contact resistance ≤ 5MΩ

2 Material&Finish

- 2.1 Inner Contact: Phosphor bronze, gold plated
- 2.2 Outer Contact: Brass, nickel plated
- 2.3 Insulators: Teflon

Notes:

- 1. ALL SPECIFICATIONS ARE SUBJECT TO CHANGE NOTICE AT ANY TIME
- 2. CUSTOMER OUTLINE DRAWING FOR REFERENCE ONLY

DRAWN: T. Shihua 17/02/14

ENGINEER: C. Tao 17/02/14

APPROVED: W. Qiang 17/02/14

TOLERANCES UNLESS OTHERWISE SPECIFIED

X ±0.50

.X ±0.20

.XX ±0.10

ANGLES ±1°

TITLE:
RF Coaxial Connector

UHF Female Flange Conn. Solder Attachment Thru Hole PCB

PART NO: UHF-KHD



www.rf-connector-china.com



DIMENSION IN MILLIMETERS (mm)

SIZE: A4

SCALE: N/A

SHEET: 1/1

REV: A