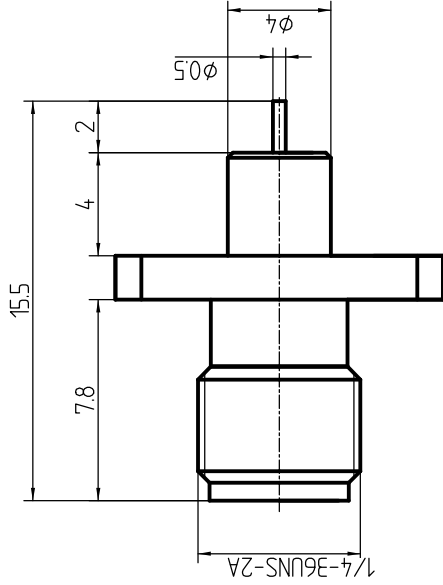


This document contains proprietary information and such information may not be disclosed to others for any purposes, not used for sales/marketing/procurement purposes without written permission



1 Electrical

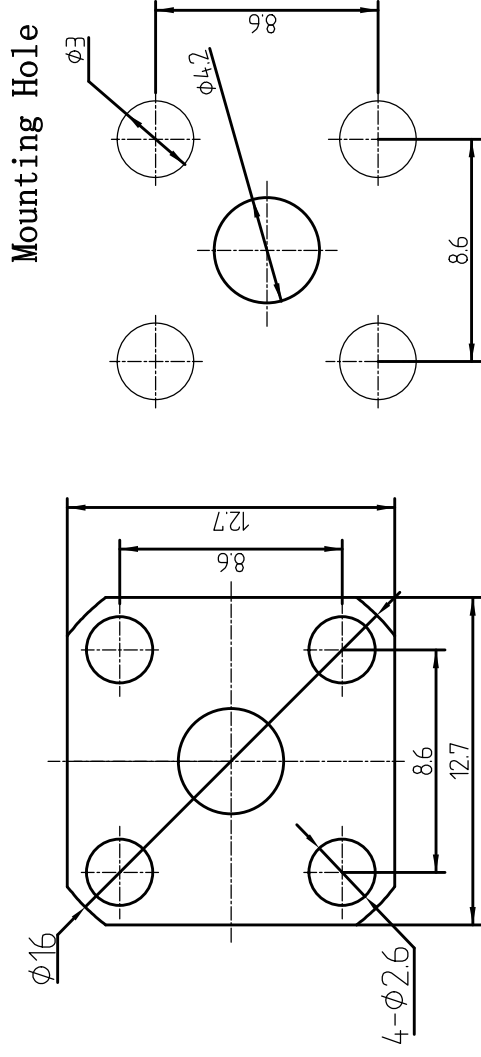
- 1.1 Impedance 50 Ω
- 1.2 Frequency 0~18GHz
- 1.3 VSWR 1.25:1

2 Environmental&Mechanical

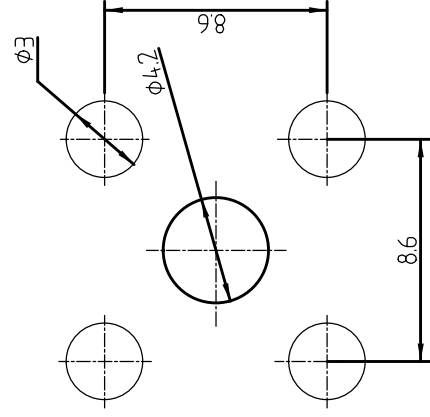
- 2.1 Temperature range -45°C~85°C
- 2.2 RoHS Compliant YES
- 2.3 Durability >500 cycles

3 Materials&plating

- 3.1 Body: Stainless Steel, Passivated
- 3.2 Insulator: Teflon
- 3.3 Contact Pin: Beryllium-copper, Gold, plated




Mounting Hole



Notes:

- 1. ALL SPECIFICATIONS ARE SUBJECT TO CHANGE NOTICE AT ANY TIME
- 2. CUSTOMER OUTLINE DRAWING FOR REFERENCE ONLY

REV	DESCRIPTION OF REVISION	ECN NO.	BY	DATE	APPROVED
A	Initial Release		T. Haiyum	5/11/14	5/11/14

DRAWN: T. Haiyum 5/11/14 ENGINEER: C. Tao 5/11/14 APPROVED: W. Qiang 5/11/14 TOLERANCES UNLESS OTHERWISE SPECIFIED X +0.50 .X +0.20 .XX +0.10 ANGLES °R	TITLE: RF Coaxial Connector SMA Female Conn. for Terminal	 www.rf-connector-china.com
SCALE: N/A SIZE: A4	DIMENSION IN MILLIMETERS (mm)	SHEET: 1/1 REV: A