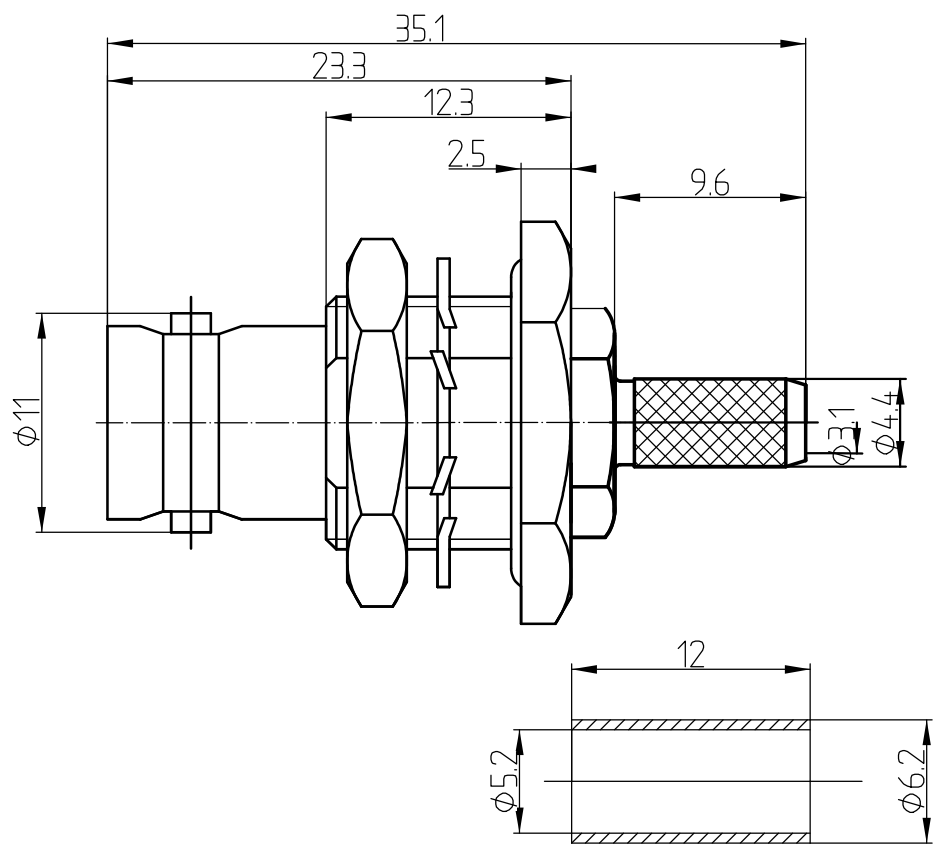
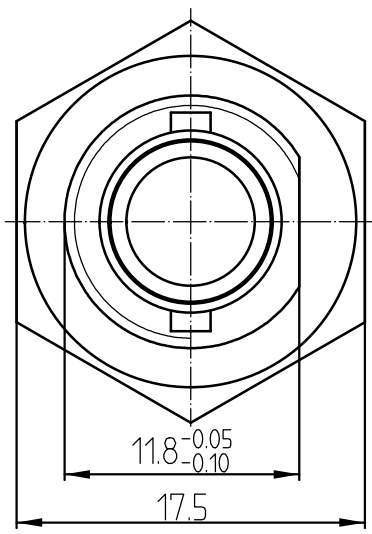


This document contains proprietary information and such information may not be disclosed to others for any purposes, not used for sales/marketing/procurement purposes without written permission

REV	DESCRIPTION OF REVISION	ECN NO.	BY	DATE	APPROVED
A	Initial Release	—	T.Haiyun	21/05/08	21/05/08




- 1 Electrical**
- 1.1 Impedence: 50 Ω
 - 1.2 Frequency: DC ~ 3GHz
 - 1.3 Dielectric withstanding voltage: 1500V (volts RMS)
 - 1.4 Center contact resistance: ≤ 1.5M Ω
 - 1.5 Outer contact resistance: ≤ 0.2M Ω
 - 1.6 Insulation resistance: ≥ 5000M Ω

- 2 Environmental & Mechanical**
- 2.1 Temperature range: -40 °C ~ +70 °C
 - 2.2 RoHs Compliant
 - 2.3 Durability: ≥ 500 cycles

- 3 Materials & plating**
- 3.1 Body: Brass; Nickel plated
 - 3.2 Insulator: Teflon
 - 3.3 Contact Pin: Bronze Gold plated
 - 3.4 Nut: Brass, Nickel plated
 - 3.5 Gasket: Silicon Rubber (red color)
 - 3.6 Washer: Brass, Nickel plated

Notes:

- 1. ALL SPECIFICATIONS ARE SUBJECT TO CHANGE NOTICE AT ANY TIME
- 2. CUSTOMER OUTLINE DRAWING FOR REFERENCE ONLY

DRAWN: T.Haiyun 21/05/08	TITLE: RF Coaxial Connector BNC Female B/H Conn. for RG58 Cable	 www.tri-rf.com				
ENGINEER: C.Tao 21/05/08						DIMENSION IN MILLIMETERS (mm)
APPROVED: W.Qiang 21/05/08		PART NO: BNC-KY5CY	SIZE: A4	SCALE: N/A	SHEET: 1/1	REV: A
TOLERANCES UNLESS OTHERWISE SPECIFIED X ±0.50 X ±0.20 XX ±0.10 ANGLES ±1°						