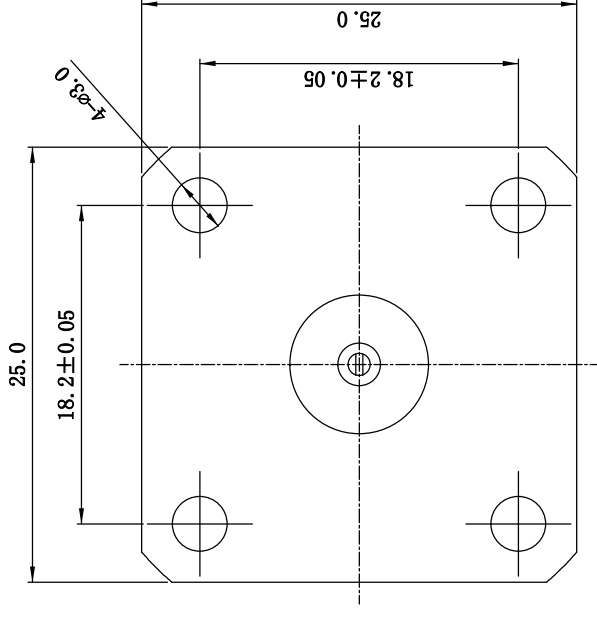
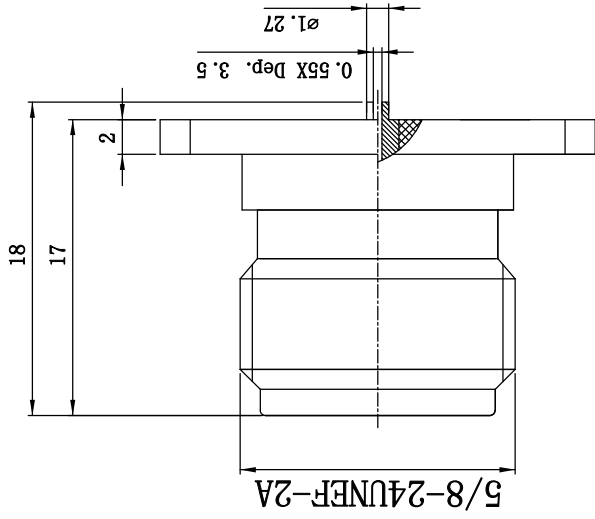


This document contains proprietary information and such information may not be disclosed to others for any purposes, not used for sales/marketing/procurement purposes without written permission



- 1 Electrical
  - 1.1 Impedance: 50 Ω
  - 1.2 Frequency: DC ~ 6GHz
  - 1.3 Dielectric withstanding voltage: 1500V (volts RMS)
  - 1.4 Center contact resistance: ≤ 1M Ω
  - 1.5 Outer contact resistance: ≤ 0.2M Ω
  - 1.6 Insulation resistance: ≥ 5000M Ω
  - 1.7 VSWR: 1.3:1
- 2 Environmental & Mechanical
  - 2.1 Temperature range: -45 °C ~ 125 °C
  - 2.2 RoHS Compliant
  - 2.3 Durability: > 500 cycles
- 3 Materials & plating
  - 3.1 Body: Brass, Suco-plated
  - 3.2 Insulator: Teflon
  - 3.3 Contact Pin: Bronze, Gold plated

**Notes:**

1. ALL SPECIFICATIONS ARE SUBJECT TO CHANGE NOTICE AT ANY TIME
2. CUSTOMER OUTLINE DRAWING FOR REFERENCE ONLY

REV	DESCRIPTION OF REVISION	ECN NO.	BY	DATE	APPROVED
A	Initial Release		T. Shihua	25/06/19	25/06/19

DRAWN: T. Shihua 25/06/19		TITLE: RF Coaxial Connector	
ENGINEER: C. Tao 25/06/19		www.rf-connector-china.com	
APPROVED: W. Qiang 25/06/19		DIMENSION IN MILLIMETERS (mm)	
TOLERANCES UNLESS OTHERWISE SPECIFIED		SCALE: N/A	
X	+0.50	A4	SHEET: 1/1
.X	+0.20		REV: A
.XX	+0.10		
ANGLES	*°		
PART NO: N-KFD113-F		SIZE: A4	