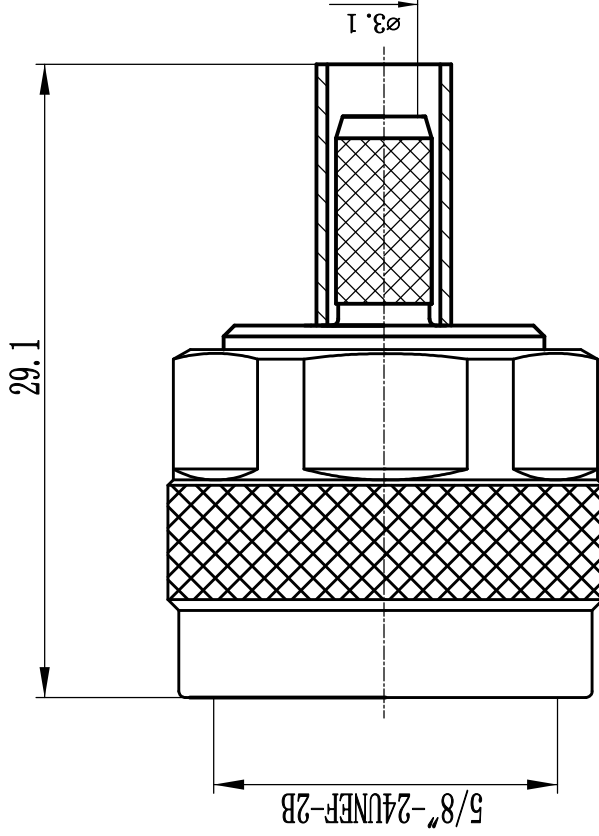


This document contains proprietary information and such information may not be disclosed to others for any purposes, not used for sales/marketing/procurement purposes without written permission



- 1 Electrical
 - 1.1 Impedance 50 Ω
 - 1.2 Frequency 0~12GHz
 - 1.3 VSWR $\leq 1.15+0.02F$
- 2 Environmental & Mechanical
 - 2.1 Temperature range -40°C~85°C
 - 2.2 RoHS Compliant
 - 2.3 Durability >500 cycles
- 3 Materials & plating
 - 3.1 Body: Brass, nickel plated
 - 3.2 Insulator: Teflon
 - 3.3 Contact Pin: Brass, Gold plated
 - 3.4 Coupling nut: Stainless Steel, Passivated



Notes:

- 1. ALL SPECIFICATIONS ARE SUBJECT TO CHANGE NOTICE AT ANY TIME
- 2. CUSTOMER OUTLINE DRAWING FOR REFERENCE ONLY

REV	DESCRIPTION OF REVISION	ECN NO.	BY	DATE	APPROVED
A	Initial Release		T. Shihua	15/02/08	15/02/08

DRAWN: T. Shihua 15/02/08 ENGINEER: C. Tao 15/02/08 APPROVED: W. Qiang 15/02/08 TOLERANCES UNLESS OTHERWISE SPECIFIED X ±0.50 .X ±0.20 .XX ±0.10 ANGLES °R	TITLE: RF Coaxial Connector N male Conn. For LMR200/RG58/LMR195 cable PART NO: N-J200VAG	 www.rf-connector-china.com  DIMENSION IN MILLIMETERS (mm) SCALE: 1:1 SHEET: 1/1 REV: A
---	---	---