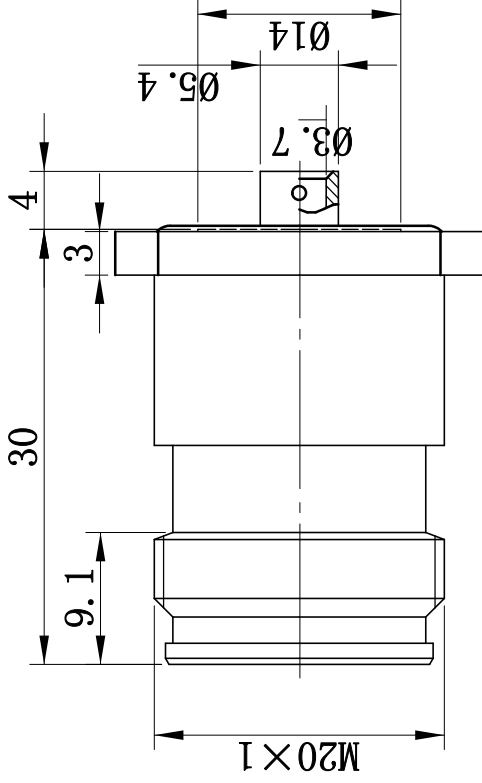
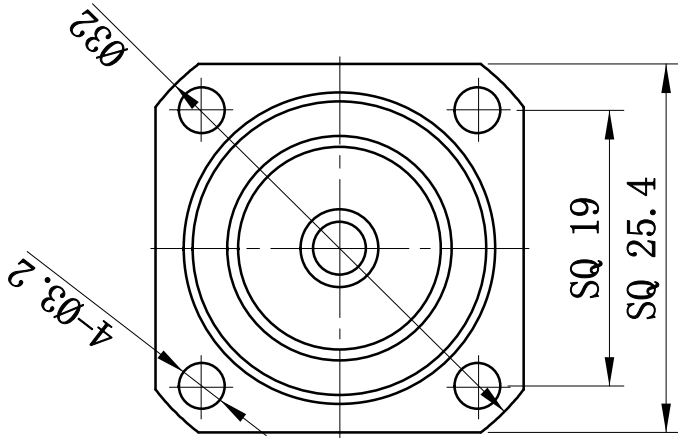


This document contains proprietary information and such information may not be disclosed to others for any purposes, not used for sales/marketing/procurement purposes without written permission



1. Electrical
- 1.1 Impedance: 50 Ω
  - 1.2 Frequency: DC-3GHz
  - 1.3 Dielectric withstanding voltage: 2500V (volts RMS)
  - 1.4 Insulation resistance:  $\geq 10000M\Omega$
  - 1.5 VSWR:  $\leq 1.15$
  - 1.6 PIM:  $\leq -155dBc(2x20w)$

2. Environmental & Mechanical
- 2.1 Temperature range: -45°e--85°e
  - 2.2 RoHS Compliant
  - 2.3 Durability:  $>500$  cycles

3. Materials & plating
- 3.1 Body: Brass, Suroplated
  - 3.2 Insulator: Teflon
  - 3.3 Contact Pin: Phosphor Bronze, Silver plated
  - 3.4 Coupling Nut: Brass, suco plated
  - 3.5 Gasket: Silicon rubber (red color)

Notes:

- 1. ALL SPECIFICATIONS ARE SUBJECT TO CHANGE NOTICE AT ANY TIME
- 2. CUSTOMER OUTLINE DRAWING FOR REFERENCE ONLY

REV	DESCRIPTION OF REVISION	ECN NO.	BY	DATE	APPROVED
A	Initial Release		T. Shihua	31/10/17	31/10/17

DRAWN: T. Shihua 31/10/17 ENGINEER: C. Tao 31/10/17 APPROVED: W. Qiang 31/10/17 TOLERANCES UNLESS OTHERWISE SPECIFIED X +0.50 XX +0.20 ANGLE ±°	TITLE: <b>RF Coaxial Connector</b> <b>4. 3-10 (miniDin) Female Flange</b> <b>Conn. For 141 Cable</b>		
PART NO: 4310-KFB3	SCALE: N/A	SHEET: 1/1	REV: A
DIMENSION IN MILLIMETERS (mm)			
www.teruital.com			