

4

3

2

1

A

A

B

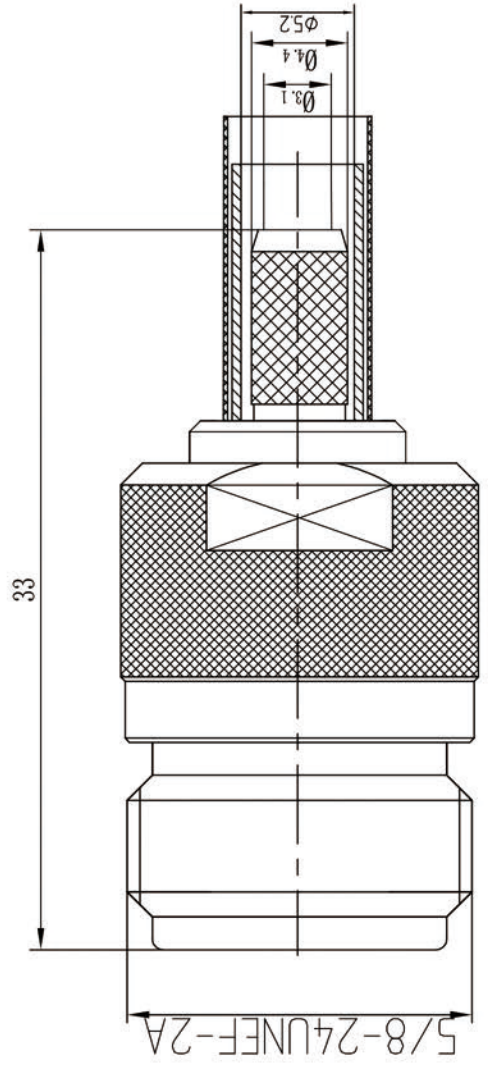
B

C

C

D

D



1 Electrical

- 1.1 Impedance: 50Ω
- 1.2 Insulation resistance: $\geq 50000 M\Omega$
- 1.3 Dielectric strength: $1500V$
- 1.4 Contact resistance
 - Center contact $\leq 1M\Omega$
 - Outer contact $\leq 0.2M\Omega$

2 Materials & Finish

- 2.1 Inner Contact: Brass, gold plated
- 2.2 Outer Contact: Brass, Nickel plated
- 2.3 Insulators: PTFE
- 2.4 Gasket: silicon rubber



Scale

1:1

No	Designed	Name	Date
1	Designed	Michael	14-Mar-09
2	Checked	Jason	14-Mar-09
3	Approved	Teresa	14-Mar-09

UNLESS OTHERWISE SPECIFIED
DIMENSIONS ARE mm, TOLERANCES ARE:
FRACTIONS DECIMALS ANGLES
X±.15 ±1°
XX±.05
XXX±

N-K200Y

N female Conn. for LMR200 Cable

www.rf-connector-china.com