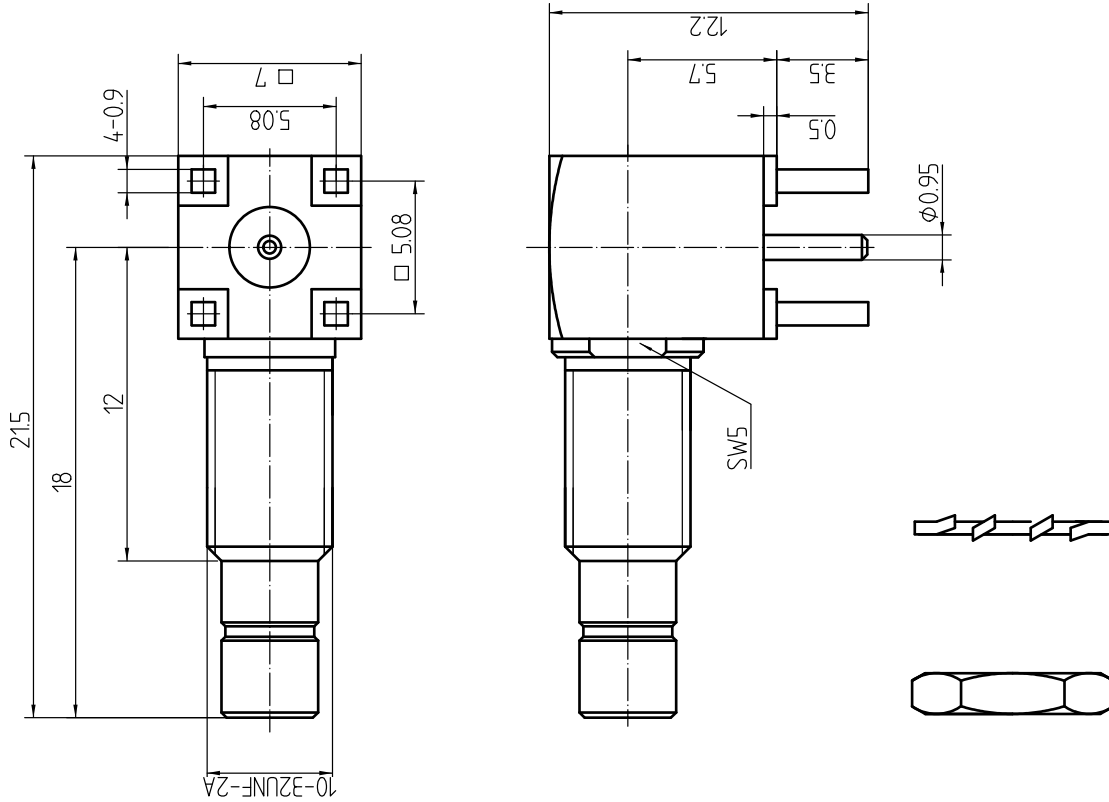


This document contains proprietary information and such information may not be disclosed to others for any purposes, not used for sales/marketing/procurement purposes without written permission



- 1 Electrical
 - 1.1 Impedance: 50 Ω
 - 1.2 Frequency: 0 ~ 4GHz
 - 1.3 Working voltage: ≤ 250V
 - 1.4 Insulation resistance: ≥ 1000MΩ
 - 1.5 Dielectric strength: 750V
 - 1.6 Center Contact resistance: ≤ 6mΩ
 - 1.7 Outer contact resistance: ≤ 1mΩ
- 2 Environmental&Mechanical
 - 2.1 Temperature range: -45℃ ~ 125℃
 - 2.2 RoHs Compliant
 - 2.3 Durability: 500 cycles
- 3 Materials&plating
 - 3.1 Inner Contact: Brass, gold plating
 - 3.1 Outer Contact: brass, gold plated
 - 3.3 Insulators: Teflon
 - 3.4 Hex nut: Brass, gold plating
 - 3.5 Washer: Phosphor bronze, gold plating

REV	DESCRIPTION OF REVISION	ECN NO.	BY	DATE	APPROVED
A	Initial Release		T. Shihua	2/12/14	2/12/14

DRAWN : T. Shihua 2/12/14		TITLE: RF Connector	
DESIGNED : C. Tao 2/12/14		www.connector-china.com	
APPROVED : W. Qiang 2/12/14		SMB For PCB	
TOLERANCES UNLESS OTHERWISE SPECIFIED		SMB For I/A conn.	
X	±0.50		
.X	+0.20		
.XX	+0.10		
ANGLES ±°			
DATE	SCALE	SHEET	TOTAL SHEETS
2/12/14	N/A	1/1	1

Notes:
 1. ALL SPECIFICATIONS ARE SUBJECT TO CHANGE NOTICE AT ANY TIME
 2. CUSTOMER OUTLINE DRAWING FOR REFERENCE ONLY