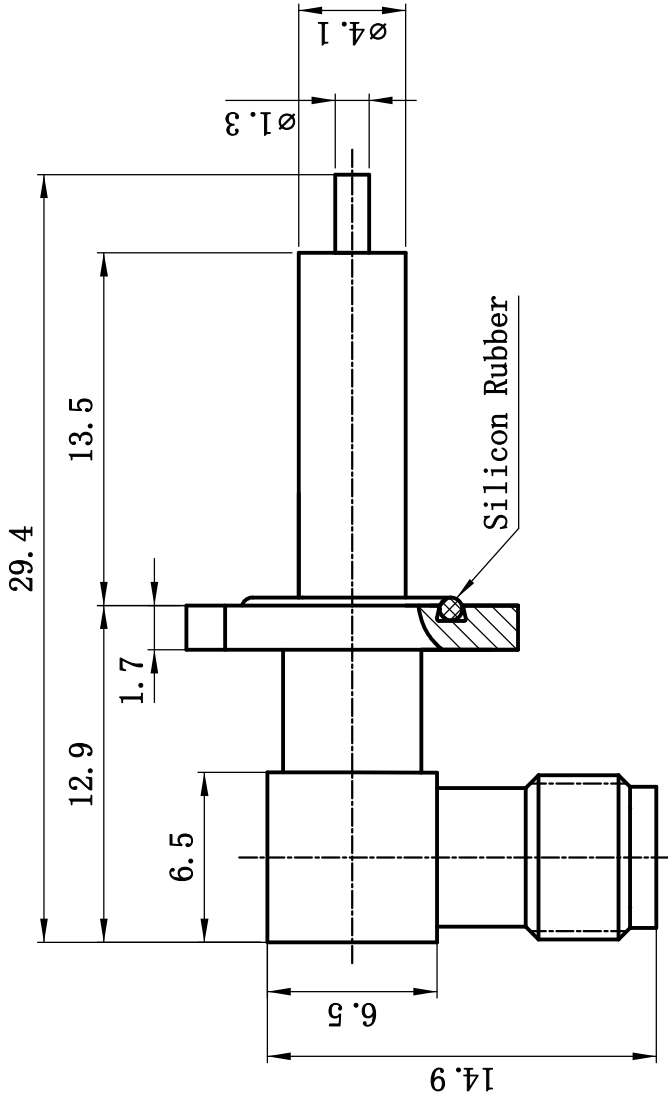


This document contains proprietary information and such information may not be disclosed to others for any purposes, not used for sales/marketing/procurement purposes without written permission



1 Electrical

- 1.1 Impedance 50 Ω
- 1.2 Frequency DC~6GHz
- 1.3 VSWR 1.25:1

2 Environmental&Mechanical

- 2.1 Temperature range -45℃~125℃
- 2.2 RoHS Compliant
- 2.3 Durability >500 cycles

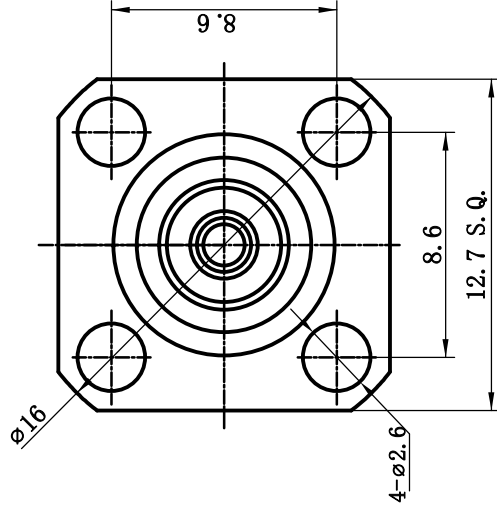
3 Materials&plating

- 3.1 Body: Brass, Gold plated
- 3.2 Insulator: Teflon
- 3.3 Contact Pin: Beryllium Copper Gold plated

**Notes:**

- 1. ALL SPECIFICATIONS ARE SUBJECT TO CHANGE NOTICE AT ANY TIME
- 2. CUSTOMER OUTLINE DRAWING FOR REFERENCE ONLY

REV	DESCRIPTION OF REVISION	ECN NO.	BY	DATE	APPROVED
A	Initial Release		T. Haiyun	12/7/08	12/7/08



DRAWN: T. Haiyun 12/07/08		TITLE: RF Coaxial Connector	
ENGINEER: C. Tao 12/07/08		www.rf-connector-china.com	
APPROVED: W. Qiang 12/07/08		SMA Female Right Angle Flange	
TOLERANCES UNLESS OTHERWISE SPECIFIED		Conn. Terminal	
X	±0.50	SCALE: N/A	SHEET: 1/1
.X	±0.20	SIZE: A4	REV: A
.XX	±0.10		
ANGLES	±1°		
PART NO: SMA-KWFD111M			