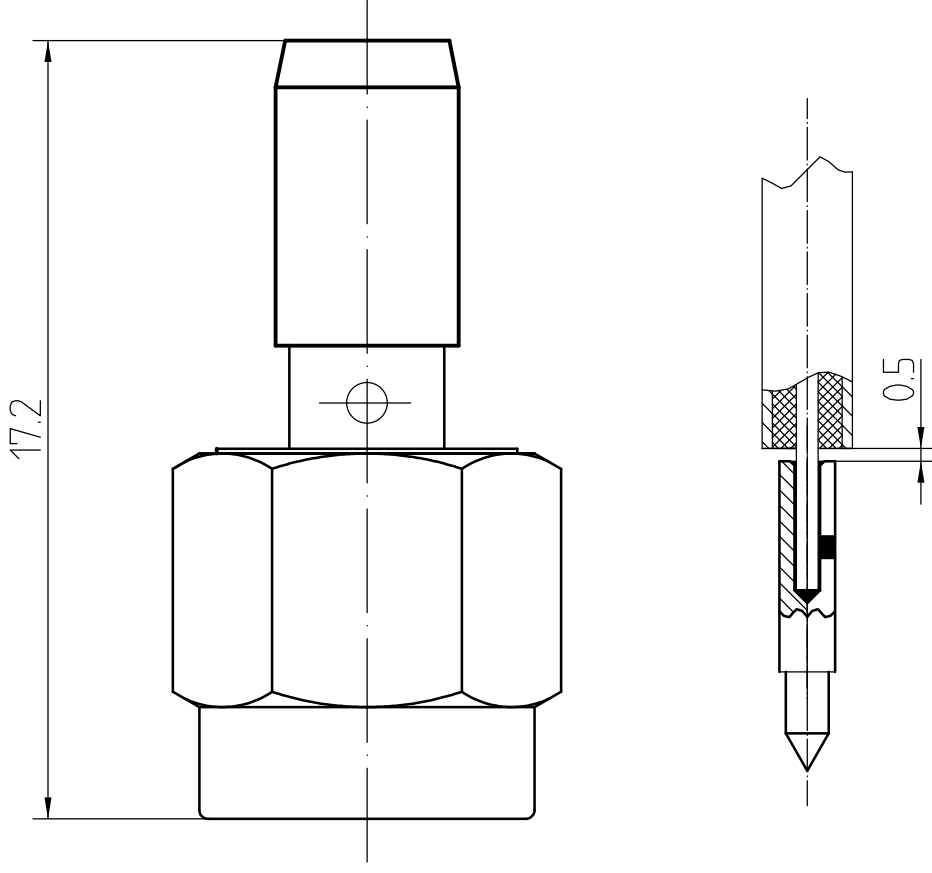


This document contains proprietary information and such information may not be disclosed to others for any purposes, not used for sales/marketing/procurement purposes without written permission

- 1 Electrical
  - 1.1 Impedence 50 Ω
  - 1.2 Frequency DC ~18GHz
  - 1.3 VSWR 1.30:1
- 2 Environmental&Mechanical
  - 2.1 Temperature range -45 °c ~ +125 °c
  - 2.2 RoHs Compliant
  - 2.3 Durability >500 cycles
- 3 Materials&plating
  - 3.1 Body: Brass, Gold Plated
  - 3.2 Insulator: Teflon,
  - 3.3 Contact Pin: Brass, Gold plated
  - 3.4 Nut: Brass, Gold Plated
  - 3.5 Gasket: Silicon Rubber ( red color)



REV	DESCRIPTION OF REVISION	ECN NO.	BY	DATE	APPROVED
A	Initial Release	---	T. Haiyun	18/3/11	18/3/11
B	New Release	---	T. Haiyun	23/5/14	23/5/14

**Notes:**

- 1. ALL SPECIFICATIONS ARE SUBJECT TO CHANGE NOTICE AT ANY TIME
- 2. CUSTOMER OUTLINE DRAWING FOR REFERENCE ONLY

DRAWN: T. Haiyun 18/3/11		TITLE:	
ENGINEER: C. Tao 18/3/11		RF Coaxial Connector	
APPROVED: W. Qiang 18/3/11		SMA Male Conn. for .086/SS405 Cable	
TOLERANCES UNLESS OTHERWISE SPECIFIED		SCALE: N/A	
X +0.50	ANGLES *°	SHEET: 1/1	
X +0.20		REV: A	
XX +0.10		DIMENSION IN MILLIMETERS (mm)	
		www.rf-connector-china.com	