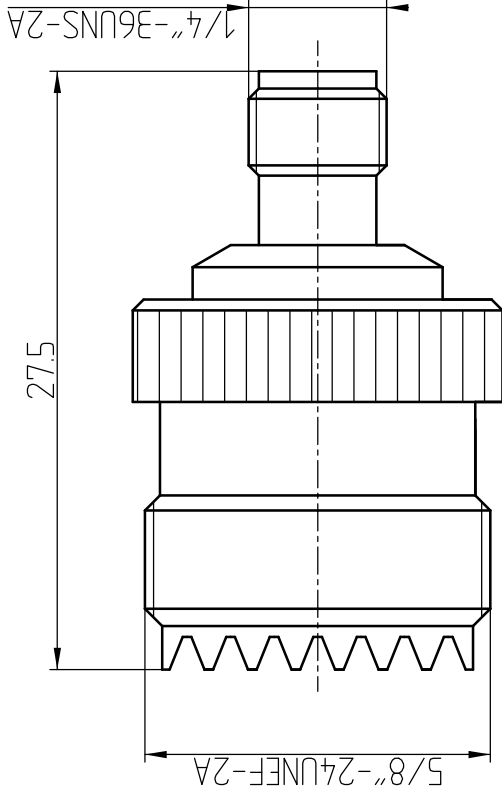


This document contains proprietary information and such information may not be disclosed to others for any purposes, not used for sales/marketing/procurement purposes without written permission



- 1 Electrical
 - 1.1 Impedance 50 Ω
 - 1.2 Frequency DC-300MHz
 - 1.3 Dielectric withstanding voltage 2000V(volts RMS)
- 2 Environmental&Mechanical
 - 2.1 Temperature range -40 $^{\circ}\text{C}$ ~125 $^{\circ}\text{C}$
 - 2.2 RoHS Compliant
 - 2.3 Durability >500 cycles
- 3 Materials&Finish
 - 3.1 Body: Brass, Nickel plated
 - 3.2 Insulator: Teflon
 - 3.3 Contact Pin: Brass, Gold plated

REV	DESCRIPTION OF REVISION	ECN NO.	BY	DATE	APPROVED
A	New Release		T. Shihua	29/04/21	29/04/21

Notes:

- 1. ALL SPECIFICATIONS ARE SUBJECT TO CHANGE NOTICE AT ANY TIME
- 2. CUSTOMER OUTLINE DRAWING FOR REFERENCE ONLY

DRAWN: T. Shihua 29/04/21 ENGINEER: C. Tao 29/04/21 APPROVED: W. Qiang 29/04/21 TOLERANCES UNLESS OTHERWISE SPECIFIED X ± 0.50 .X ± 0.20 .XX ± 0.10 ANGLES $^{\circ}$	TITLE: RF Adaptor UHF Female to SMA Female Adaptor		 www.rfconnectorchina.com
PART NO: UHF/SMA-KK			DIMENSION IN MILLIMETERS (mm)
SCALE: N/A			SHEET: 1/1
SIZE: A4			REV: A