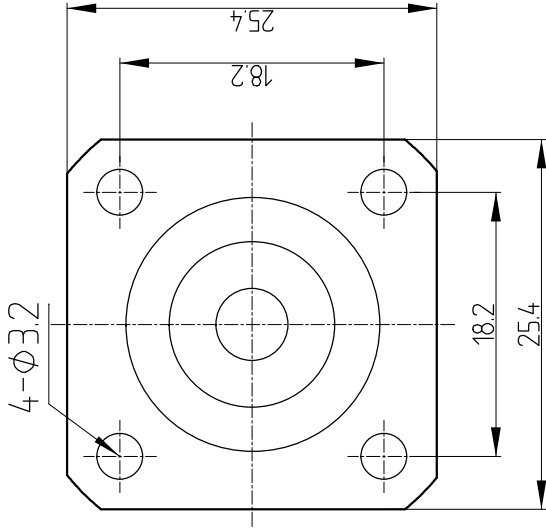


This document contains proprietary information and such information may not be disclosed to others for any purposes, not used for sales/marketing/procurement purposes without written permission

REV	DESCRIPTION OF REVISION	ECN NO.	BY	DATE	APPROVED
A	Initial Release		T. Shihua	09/02/17	09/02/17

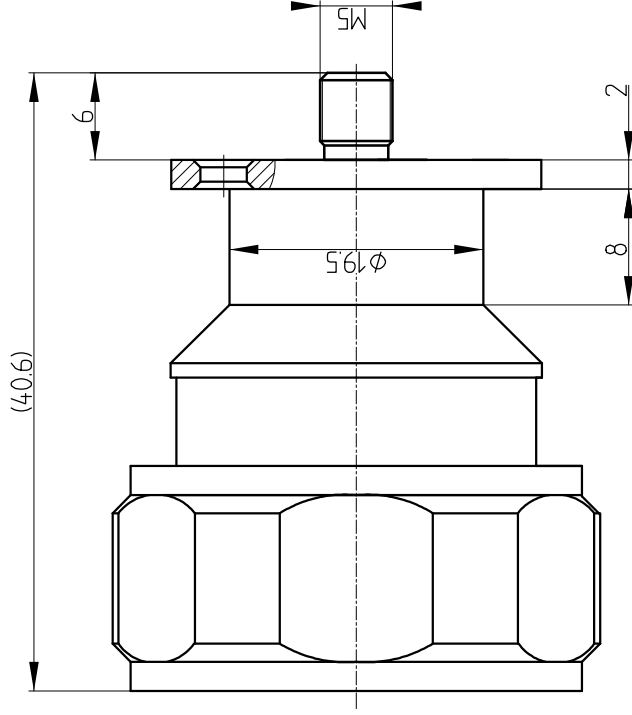


- 1 Electrical
  - 1.1 Impedance 50 Ω
  - 1.2 Frequency 0~3GHz
  - 1.3 VSWR 1.20:1
  - 1.4 Insulation Resistance >100000MΩ
  - 1.5 Dielectric Withstanding Voltage 4000V rms(AC)
  - 1.6 Pim Requirement -160dBc
- 2 Environmental&Mechanical
  - 2.1 Temperature range -45℃~85℃
  - 2.2 RoHS Compliant
  - 2.3 Durability >500 cycles
  - 2.4 Mechanical Shock Test Method MIL-STD-202, Method 219, Test Condition D
  - 2.5 Vibration Test Method MIL-STD-202, Meth. 204, Cond. A
  - 2.6 RoHS Compliant

- 3 Materials&plating
  - 3.1 Body: Brass, Suco-plating
  - 3.2 Insulator: Teflon
  - 3.3 Contact Pin: Phosphor Bronze, Silver plating
  - 3.4 Gasket: Silicon Rubber
  - 3.5 Nut: Brass/Nickel Plating

**Notes:**

1. ALL SPECIFICATIONS ARE SUBJECT TO CHANGE NOTICE AT ANY TIME
2. CUSTOMER OUTLINE DRAWING FOR REFERENCE ONLY



DRAWN: T. Shihua	09/02/17
ENGINEER: C. Tao	09/02/17
APPROVED: W. Qiang	09/02/17
TOLERANCES UNLESS OTHERWISE SPECIFIED	
X	+0.50
.X	+0.20
.XX	+0.10
ANGLES	*°

**TITLE:**  
RF Coaxial Connector  
Din Male Flange Connector  
Receptacle

PART NO: Din-JFD62A

SIZE: A4

SCALE: N/A

SHEET: 1/1

REV: A



www.tl-f.com



DIMENSION IN MILLIMETERS (mm)

4

3

2

1

A

B

A

B

4

3

2

1