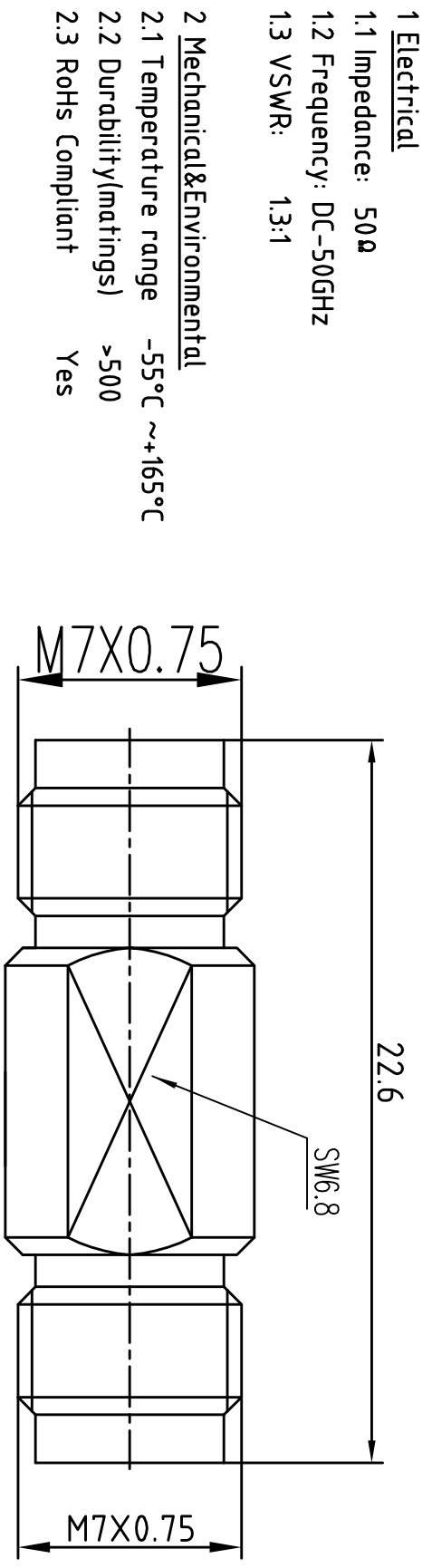


This document contains proprietary information and such information may not be disclosed to others for any purposes, not used for sales/marketing/procurement purposes without written permission

REV	DESCRIPTION OF REVISION	ECN NO.	BY	DATE	APPROVED
A	Initial Release		T.Shibuo	21/03/17	21/03/17




- 3 Material&Finish
  - 3.1 Pin contact: Beryllium-Copper, gold plated
  - 3.2 Body: Stainless Steel(SUS303), Passivated
  - 3.3 Insulators: PEI

- 4 Interface Standards
  - 4.1 2.4 IEEE STD 287-2007
  - 4.2 1.85mm IEC-61169

- 1 Electrical
  - 1.1 Impedance: 50Ω
  - 1.2 Frequency: DC-50GHz
  - 1.3 VSWR: 1.3:1

- 2 Mechanical&Environmental
  - 2.1 Temperature range -55°C ~+165°C
  - 2.2 Durability(matings) >500
  - 2.3 RoHs Compliant Yes

Notes:  
 1.ALL SPECIFICATIONS ARE SUBJECT TO CHANGE NOTICE AT ANY TIME  
 2.CUSTOMER OUTLINE DRAWING FOR REFERENCE ONLY

DRAWN: T.Shibuo 21/03/17	TITLE: Precision Adapter	 www.ttlrf.com
ENGINEER: C.Too 21/03/17	2.4 Female to 1.85 Female	
APPROVED: W.Qiang 21/03/17	PART NO: 1.85/2.4-KKG	DIMENSION IN MILLIMETERS (mm) SIZE: A4 SCALE: N/A SHEET: 1/1 REV: A
TOLERANCES UNLESS OTHERWISE SPECIFIED		
X AS30		
X AS30		
XX AS30		
ANGLES 5°		