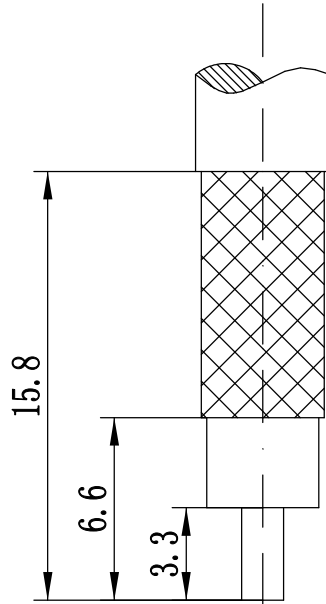
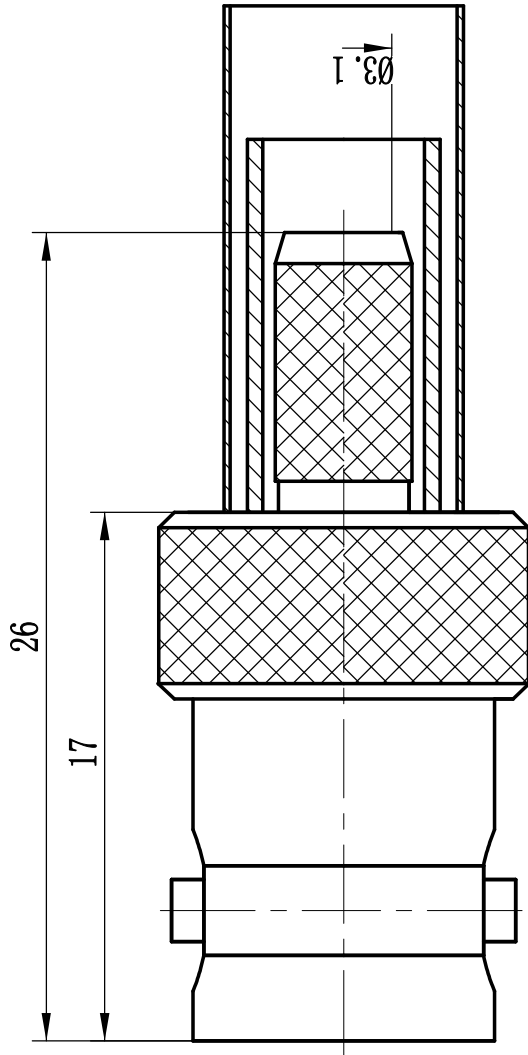


This document contains proprietary information and such information may not be disclosed to others for any purposes, not used for sales/marketing/procurement purposes without written permission



- 1 Electrical
- 1.1 Impedance: 50 Ω
 - 1.2 Frequency: DC-4GHz
 - 1.3 Dielectric withstanding voltage: 1000V(volts RMS)
 - 1.4 Center contact resistance: ≤ 3MΩ
 - 1.5 Outer contact resistance: ≤ 2MΩ
 - 1.6 Insulation resistance: ≥5000MΩ
- 2 Environmental&Mechanical
- 2.1 Temperature range: -45℃~85℃
 - 2.2 RoHS Compliant
 - 2.3 Durability: >500 cycles

3 Materials&plating

- 3.1 Body: Brass, Nickel plated
- 3.2 Insulator: Teflon
- 3.3 Contact Pin: Phosphor Bronze, Gold plated

REV	DESCRIPTION OF REVISION	BY	DATE	APPROVED
A	Initial Release	T.Shibus	18/09/13	18/09/13

DRAWN: T.Shibus 18/09/13
 ENGINEER: C.Teo 18/09/13
 APPROVED: H.Giang 18/09/13

TOLEANCES UNLESS OTHERWISE SPECIFIED
 X ±0.50
 .X ±0.20
 .XX ±0.10
 ANGLES °'

TITLE:
 RF Coaxial Connector

ENC Female Conn. for RG58 Cable Crimp

PART NO: ENC-KEY



www.terulai.com



DIMENSION IN MILLIMETERS (mm)

SCALE: A4
 SIZE: N/A
 SHEET: 1/1
 REV: A

Notes:

- 1. ALL SPECIFICATIONS ARE SUBJECT TO CHANGE NOTICE AT ANY TIME
- 2. CUSTOMER OUTLINE DRAWING FOR REFERENCE ONLY