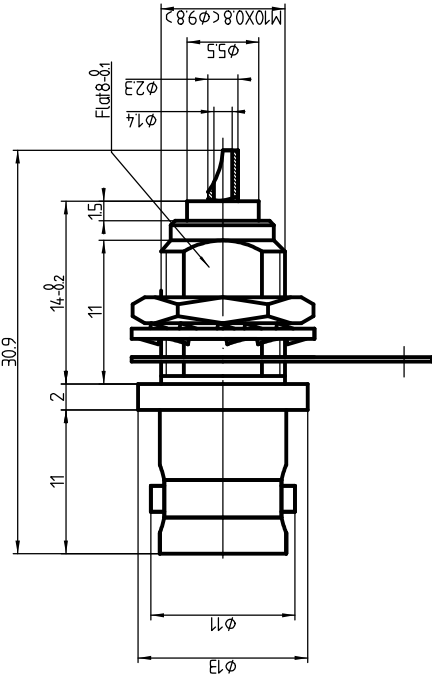
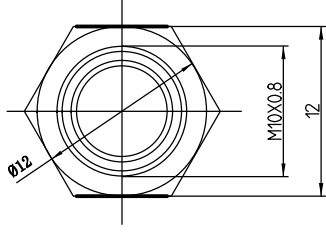
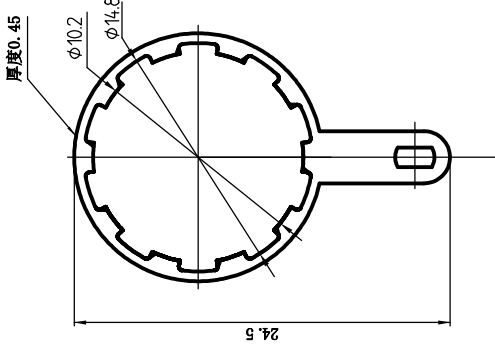
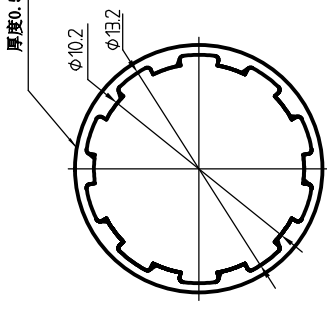
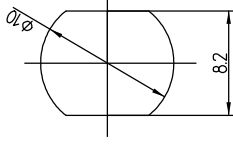


This document contains proprietary information and such information may not be disclosed to others for any purposes, not used for sales/marketing/procurement purposes without written permission

REV	DESCRIPTION OF REVISION	ECN NO.	BY	DATE	APPROVED
A	Initial Release		T. Shihua	02/08/13	02/08/13



推荐安装孔尺寸



1 Electrical

- 1.1 Impedence 50 Ω
- 1.2 Frequency DC-4GHz
- 1.3 VSWR 1:30:1

2 Environmental & Mechanical

- 2.1 Temperature range -45°C ~ 125°C
- 2.2 RoHS Compliant
- 2.3 Durability >500 cycles

3 Materials & Plating

- 3.1 Body: Brass, Nickel plated
- 3.2 Insulator: Teflon
- 3.3 Contact Pin: Phosphor Bronze, Gold plated
- 3.4 Washer: Bronze, nickel plated
- 3.5 Hex Nut: Brass, nickel plated

Notes:

- 1. ALL SPECIFICATIONS ARE SUBJECT TO CHANGE NOTICE AT ANY TIME
- 2. CUSTOMER OUTLINE DRAWING FOR REFERENCE ONLY

DRAWN: T. Shihua 02/08/13

ENGINEER: C. Tao 02/08/13

APPROVED: W. Qiang 02/08/13

TOLEANCES UNLESS OTHERWISE SPECIFIED

X ±0.50

.X ±0.20

XX ±0.10

ANGLES \*°

TITLE:

RF Coaxial Connector

BNC Female bulkhead Conn. For Solder Pot Terminal

PART NO: BNC-KYD4

SIZE: A4

SCALE: 1:1

SHEET: 1/1

REV: A



DIMENSION IN MILLIMETERS (mm)