

This document contains proprietary information and such information may not be disclosed to others for any purposes, not used for sales/marketing/procurement purposes without written permission

REV	DESCRIPTION OF REVISION	ECN NO.	BY	DATE	APPROVED
A	Initial Release		T.Shihua	1/8/14	1/8/14

1 Electrical

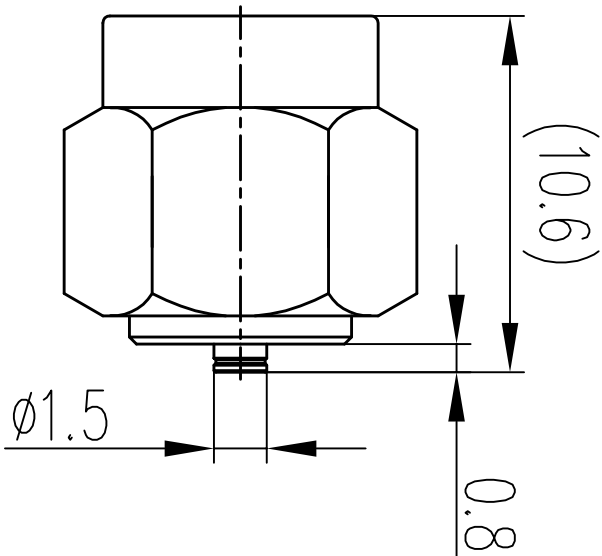
- 1.1 Impedance: 50Ω
- 1.2 Frequency: DC-6GHz
- 1.3 VSWR: 1.20:1

2 Mechanical&Environmental

- 2.1 Temperature range -45°C ~+85°C
- 2.2 Durability(matings) >500
- 2.3 RoHs Compliant Yes

3 Material&Finish

- 3.1 Pin contact: Beryllium-Copper, gold plated
- 3.2 Body: Stainless Steel(SU303), Passivated
- 3.3 Insulators: Teflon



Notes:

- 1. ALL SPECIFICATIONS ARE SUBJECT TO CHANGE NOTICE AT ANY TIME
- 2. CUSTOMER OUTLINE DRAWING FOR REFERENCE ONLY

DRAWN: T.Shihua 1/8/14		TITLE: Precision Adapter	
ENGINEER: C.Too 1/8/14		SMA Male to U.FL Male	
APPROVED: W.Qiang 1/8/14		PART NO: SMA/U.FL4-JIG	
TOLERANCES UNLESS OTHERWISE SPECIFIED		SIZE: A4	
X	±0.30	SCALE: N/A	
X	±0.20	SHEET: 1/1	
XX	±0.10	REV: A	
ANGLES	±1°	www.ferulial.com	
		DIMENSION IN MILLIMETERS (mm)	