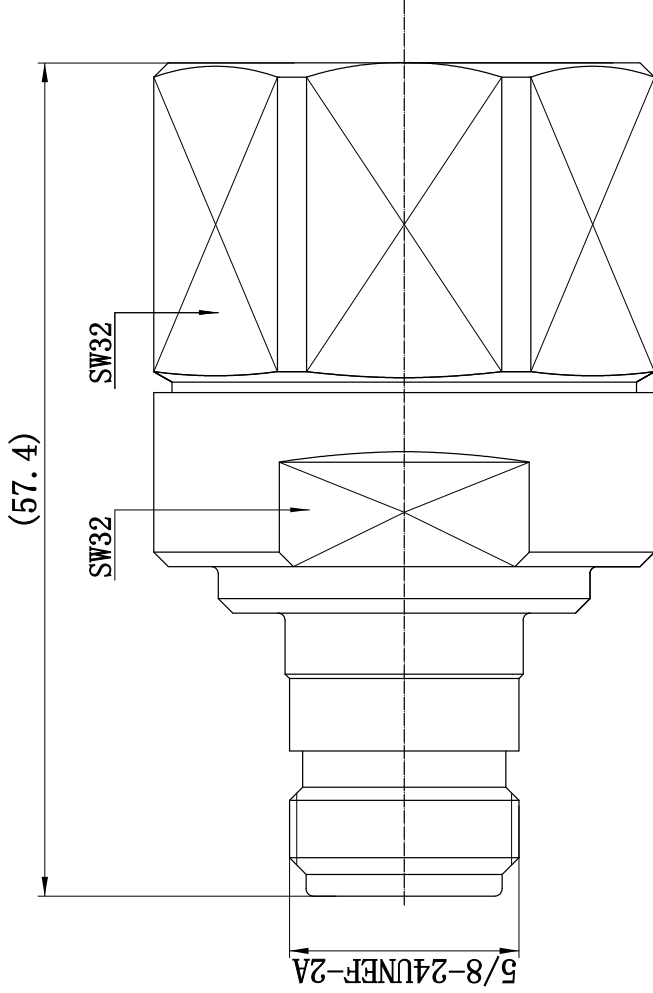


This document contains proprietary information and such information may not be disclosed to others for any purposes, not used for sales/marketing/procurement purposes without written permission



- 1 Electrical  
 1.1 Impedence 50 Ω  
 1.2 Frequency DC-3GHz  
 1.3 VSWR ≤1.15
- 2 Environmental&Mechanical  
 2.1 Temperature range -45℃~125℃  
 2.2 Rohs Compliant  
 2.3 Durability >500 cycles
- 3 Materials&plating  
 3.1 Body: Brass, nickel plated  
 3.2 Insulator: Teflon  
 3.3 Contact Pin: Phosphor bronze, Silver plated  
 3.4 Housing: Brass, nickel plated

REV	DESCRIPTION OF REVISION	ECN NO.	BY	DATE	APPROVED
A	Initial Release		T. Shihua	17/02/12	17/02/12

Notes:

1. ALL SPECIFICATIONS ARE SUBJECT TO CHANGE NOTICE AT ANY TIME
2. CUSTOMER OUTLINE DRAWING FOR REFERENCE ONLY

DRAWN : T. Shihua 17/02/12

ENGINEER: C. Tao 17/02/12

APPROVED : W. Qiang 17/02/12

TOLERANCES UNLESS OTHERWISE SPECIFIED  
 X ±0.50  
 .X ±0.20  
 .XX ±0.10  
 ANGLES ±°

TITLE:

**RF Coaxial Connector**  
**N Female Straight Conn. for**  
**7/8" feeder Cable**

PART NO: N-K7/8A



www.cabl.com



DIMENSION IN MILLIMETERS (mm)

SIZE: A4

SCALE: N/A

SHEET: 1/1

REV: A