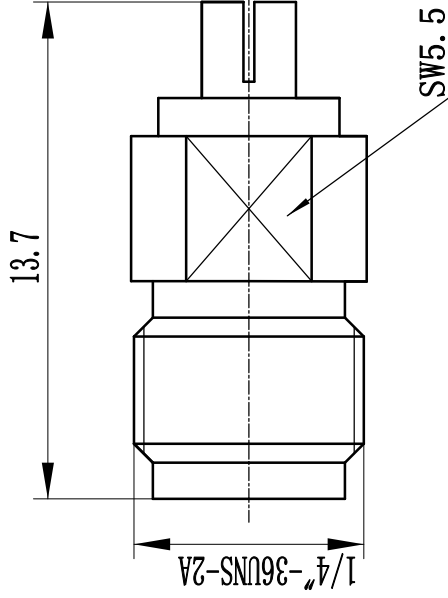


This document contains proprietary information and such information may not be disclosed to others for any purposes, not used for sales/marketing/procurement purposes without written permission

- 1 Electrical
  - 1.1 Impedance: 50 Ω
  - 1.2 Frequency: DC-6GHz
  - 1.3 VSWR: 1.20:1

- 2 Mechanical&Environmental
  - 2.1 Temperature range -45° C ~+85° C
  - 2.2 Durability(matings) >500
  - 2.3 RoHs Compliant Yes

- 3 Material&Finish
  - 3.1 Pin contact: Beryllium-Copper, gold plated
  - 3.2 Body: Stainless Steel (SU303), Passivated
  - 3.3 Insulators: Teflon



**Notes:**

- 1. ALL SPECIFICATIONS ARE SUBJECT TO CHANGE NOTICE AT ANY TIME
- 2. CUSTOMER OUTLINE DRAWING FOR REFERENCE ONLY

REV	DESCRIPTION OF REVISION	ECN NO.	BY	DATE	APPROVED
A	Initial Release		T. Shihua	1/8/14	1/8/14

DRAWN: T. Shihua 1/8/14		TITLE: Precision Adapter		www.tenulilai.com	
ENGINEER: C. Tao 1/8/14		SMA Female to U. FL 1 Female		DIMENSION IN MILLIMETERS (mm)	
APPROVED: W. Qiang 1/8/14		PART NO: SMA/U. FL1-KKG		SCALE: N/A	
TOLERANCES UNLESS OTHERWISE SPECIFIED		SIZE: A4		SHEET: 1/1	
X ±0.50	ANGLES ±1°		REV: A		4
.X ±0.20					3
.XX ±0.10					2
					1