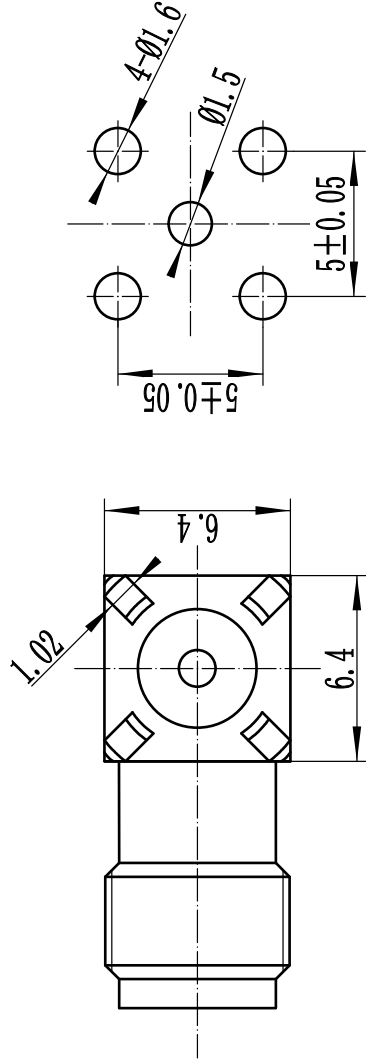
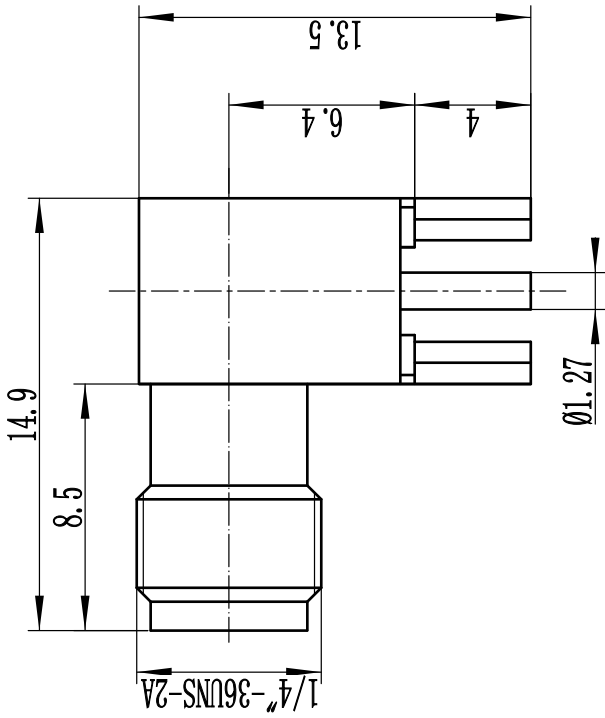


This document contains proprietary information and such information may not be disclosed to others for any purposes, not used for sales/marketing/procurement purposes without written permission



- 1 Electrical**
- 1.1 Impedance: 50 Ω
  - 1.2 Frequency: 0~6GHz
  - 1.3 Dielectric withstanding voltage: 1500V(volts RMS)
  - 1.4 Center contact resistance: ≤ 1MΩ
  - 1.5 Outer contact resistance: ≤ 0.2MΩ
  - 1.6 Insulation resistance: ≥5000MΩ

**2 Environmental & Mechanical**

- 2.1 Temperature range: -45℃~125℃
- 2.2 RoHs Compliant
- 2.3 Durability: >500 cycles

**3 Materials & plating**

- 3.1 Body: Brass, gold plated
- 3.2 Insulator: Teflon
- 3.3 Contact Pin: Beryllium-copper, Gold plated

REV	DESCRIPTION OF REVISION	ECN NO.	BY	DATE	APPROVED
A	Initial Release		T.Shihua	18/7/19	18/7/19

Notes:

- 1. ALL SPECIFICATIONS ARE SUBJECT TO CHANGE NOTICE AT ANY TIME
- 2. CUSTOMER OUTLINE DRAWING FOR REFERENCE ONLY

DRAWN: T.Shihua 22/01/16
ENGINEER: C.Tao 22/01/16
APPROVED: W.Qiang 22/01/16
TOLERANCES UNLESS OTHERWISE SPECIFIED
X ±0.05
.X ±0.20
.XX ±0.10
ANGLES °P

TITLE:	
RF Coaxial Connector	www.tenulal.com
SMA Female R/A PCB Mount	
PART NO: SMA-KWHD	SCALE: N/A
SIZE: A4	SHEET: 1/1
	REV: A



DIMENSION IN MILLIMETERS (mm)