

This document contains proprietary information and such information may not be disclosed to others for any purposes, not used for sales/marketing/procurement purposes without written permission

1 Electrical

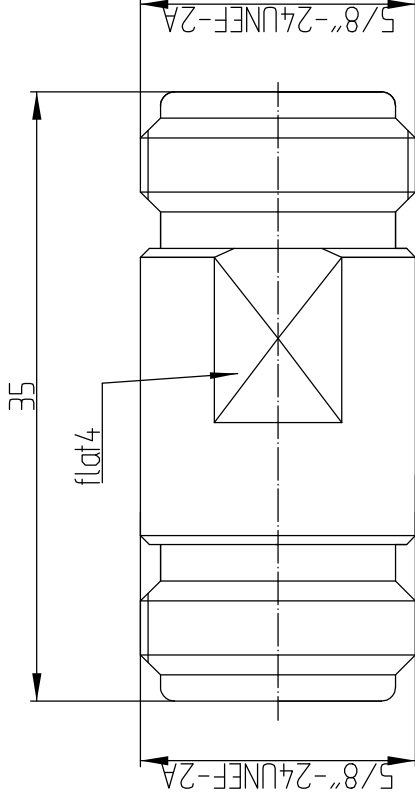
- 1.1 Impedance: 50 Ω
- 1.2 Frequency: DC-6GHz
- 1.3 VSWR: 1.20 : 1

2 Environmental

- 2.1 Temperature -45° to 125°
- 2.2 RoHs compliant

3 Material & Finish

- 3.1 Inner Contact: Phosphor Bronze, gold plated
- 3.2 Outer Contact: brass, nickel plated
- 3.3 Insulators: PTFE



Notes:

- 1. ALL SPECIFICATIONS ARE SUBJECT TO CHANGE NOTICE AT ANY TIME
- 2. CUSTOMER OUTLINE DRAWING FOR REFERENCE ONLY

REV	DESCRIPTION OF REVISION	ECN NO.	BY	DATE	APPROVED
A	Initial Release		T. Shihua	17/12/14	17/12/14

DRAWN: T. Shihua 17/12/14 ENGINEER: C. Tao 17/12/14 APPROVED: W. Qiang 17/12/14 TOLERANCES UNLESS OTHERWISE SPECIFIED X ±0.50 .X ±0.20 .XX ±0.10 ANGLES °R	TITLE: RF Coaxial Connector N Female to Female adapter PART NO: N-KKC	 www.rf-connector-china.com DIMENSION IN MILLIMETERS (mm) SCALE: N/A SHEET: 1/1 REV: A
---	--	---