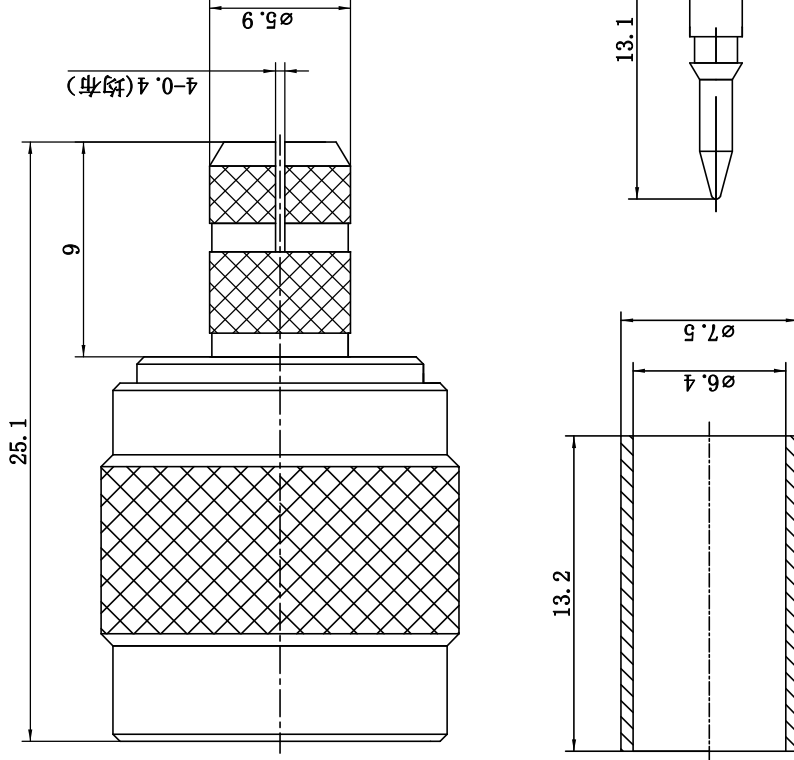


This document contains proprietary information and such information may not be disclosed to others for any purposes, not used for sales/marketing/procurement purposes without written permission

- 1 电气性能
 - 1.1 特性阻抗 75 Ω
 - 1.2 频率 DC~2GHz
 - 1.3 介质耐压 1500V
 - 1.4 中心导体电阻 $\leq 1.5M\Omega$
 - 1.5 外导体电阻 $\leq 0.2M\Omega$
 - 1.6 绝缘电阻 $\geq 5000M\Omega$
 - 1.7 VSWR $\leq 1.30; 1$

2 材料及涂覆

- 2.1 外壳: 黄铜, 镀镍
- 2.2 绝缘子: Teflon
- 2.3 内导体: 黄铜, 镀金
- 2.4 螺套: 黄铜, 镀镍



REV	DESCRIPTION OF REVISION	ECN NO.	BY	DATE	APPROVED
A	Initial Release		T. Haiyun	21/05/08	21/05/08

Notes:

1. ALL SPECIFICATIONS ARE SUBJECT TO CHANGE NOTICE AT ANY TIME
2. CUSTOMER OUTLINE DRAWING FOR REFERENCE ONLY

DRAWN: T. Haiyun 21/05/08

ENGINEER: C. Tao 21/05/08

APPROVED: W. Qiang 21/05/08

TOLERANCES UNLESS OTHERWISE SPECIFIED

X ± 0.50

.X ± 0.20

.XX ± 0.10

ANGLES $\pm 1^\circ$

TITLE:

RF Coaxial Connector

TNC Male Conn. for RG59 Cable

PART NO: TNC-75J6Y

3



www.teruilai.com



DIMENSION IN MILLIMETERS (mm)

SIZE: A4

SCALE: N/A

SHEET: 1/1

REV: A

2

1

4

3

2

1

4