

This document contains proprietary information and such information may not be disclosed to others for any purposes, not used for sales/marketing/procurement purposes without written permission

- 1 Electrical
 - 1.1 Impedence: 50 Ω
 - 1.2 Frequency: DC-6GHz
 - 1.3 Dielectric withstanding voltage: 750V(volts RMS)
 - 1.4 Center contact resistance: ≤ 5MΩ
 - 1.5 Outer contact resistance: ≤ 2.5MΩ
 - 1.6 Insulation resistance: ≥ 1000MΩ

- 2 Environmental&Mechanical

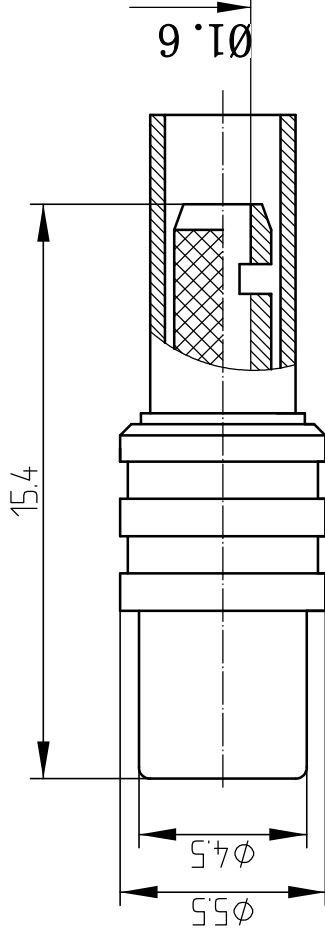
- 2.1 Temperature range: -45℃~125℃
- 2.2 RoHs Compliant
- 2.3 Durability: >500 cycles

- 3 Materials&Finish

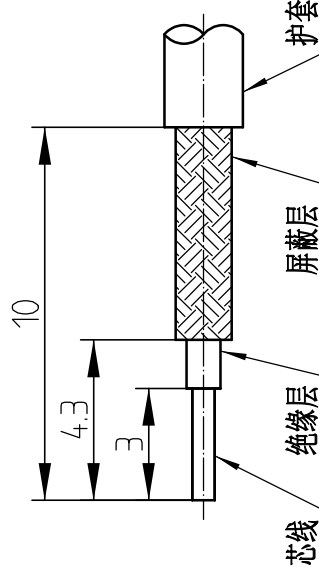
- 3.1 Body: Brass, Gold plated
- 3.2 Insulator: Teflon
- 3.3 Contact Pin: Brass, gold plated
- 3.4 Contact spring: Beryllium copper, gold plated

Notes:

1. ALL SPECIFICATIONS ARE SUBJECT TO CHANGE NOTICE AT ANY TIME
2. CUSTOMER OUTLINE DRAWING FOR REFERENCE ONLY



推荐剥线尺寸:



DRAWN: T. Shihua 12/07/06	TITLE:
ENGINEER: C. Tao 12/07/06	RF Coaxial Connector
APPROVED: W. Qiang 12/07/06	MCX male Str. Conn.
TOLERANCES UNLESS OTHERWISE SPECIFIED	For RG316 cable
X ±0.50	
.X ±0.20	
.XX ±0.10	
ANGLES ±1°	

PART NO: MCX-K3C		SCALE: N/A	SHEET: 1/1	REV: A
SIZE: A4		DIMENSION IN MILLIMETERS (mm)		
www.terulilai.com				

