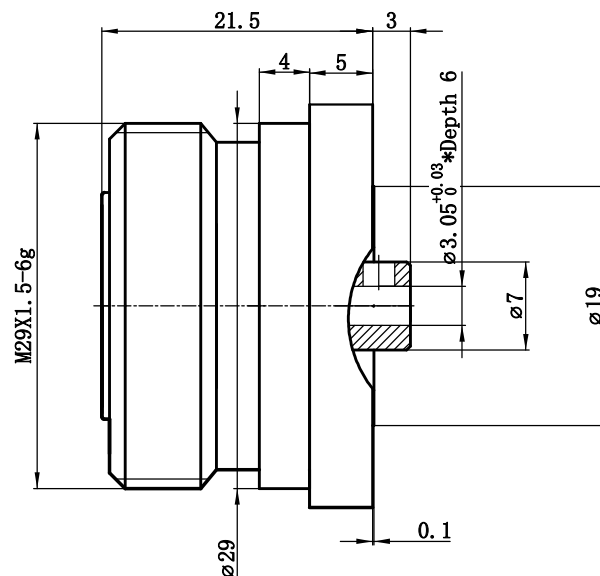
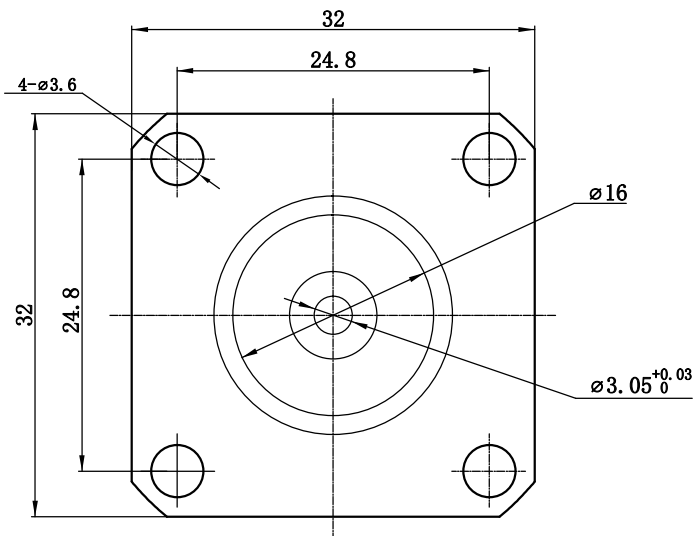


This document contains proprietary information and such information may not be disclosed to others for any purposes, not used for sales/marketing/procurement purposes without written permission

REV	DESCRIPTION OF REVISION	ECN NO.	BY	DATE	APPROVED
A	Initial Release	—	T. Haiyun	11/08/17	11/08/17



## 1 Electrical



- 1.1 Impedance: 50 Ω
- 1.2 Frequency: DC-3GHz
- 1.3 VSWR: 1.15:1

## 2 Material&Finish

- 2.1 Contact: Bronze, Silver plated
- 2.2 Body: Brass, Tri-ALLOY
- 2.3 Insulators: Teflon

### Notes:

- 1. ALL SPECIFICATIONS ARE SUBJECT TO CHANGE NOTICE AT ANY TIME
- 2. CUSTOMER OUTLINE DRAWING FOR REFERENCE ONLY

DRAWN: T. Haiyun 11/08/17	TITLE: RF Coaxial Connector L29 Female Flange Conn. Terminal	 <a href="http://www.rf-connector-china.com">www.rf-connector-china.com</a>			
ENGINEER: C. Tao 11/08/17					
APPROVED: W. Qiang 11/08/17		 DIMENSION IN MILLIMETERS (mm)			
TOLERANCES UNLESS OTHERWISE SPECIFIED	PART NO: L29-KFD8	SIZE: A4	SCALE: N/A	SHEET: 1/1	REV: A
X ±0.50					
.X ±0.20					
.XX ±0.10					
ANGLES ±1°					