

This document contains proprietary information and such information may not be disclosed to others for any purposes, not used for sales/marketing/procurement purposes without written permission

REV	DESCRIPTION OF REVISION	ECN NO.	BY	DATE	APPROVED
A	Initial Release	—	T. Haiyun	6/7/16	6/7/16

1 Electrical

- 1.1 Impedence            50 Ω
- 1.2 Frequency            DC ~6GHz
- 1.3 VSWR                1.2 Maxi
- 1.4 Attenuation Value    1~30dB
- 1.5 Power Input:        2Watt@25~70℃

2 Attenuation Accuracy

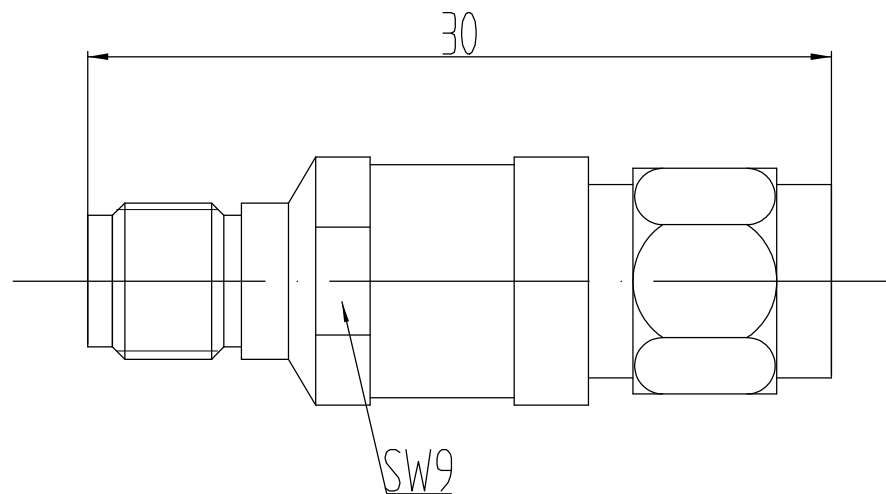
- 2.1 1~10dB               ±0.6dB maxi
- 2.2 11~20dB             ±0.8dB maxi
- 2.3 21~30dB             ±1.0dB maxi

3 Materials&plating

- 3.1 Body:                Brass, Nickel plated
- 3.2 Contact Pin:        Beryllium copper, gold plated



4 Environmental&Mechanical

- 4.1 Temperature range    -25℃ ~+85℃
- 4.2 RoHs Compliant
- 4.3 Durability             >500 cycles



Notes:

- 1. ALL SPECIFICATIONS ARE SUBJECT TO CHANGE NOTICE AT ANY TIME
- 2. CUSTOMER OUTLINE DRAWING FOR REFERENCE ONLY

DRAWN: T. Haiyun 6/7/16 ENGINEER: C. Tao 6/7/16 APPROVED: W. Qiang 6/7/16 TOLERANCES UNLESS OTHERWISE SPECIFIED X            ±0.50 .X          ±0.20 .XX         ±0.10 ANGLES    ±1°	TITLE: <b>RF Attenuator</b> <b>SMA Male to Female Fixed</b> <b>Attenuator</b>	 <a href="http://www.trl-rf.com">www.trl-rf.com</a>  DIMENSION IN MILLIMETERS (mm)		
PART NO: TRL-SMAMP-2W-06	SIZE: A4	SCALE: N/A	SHEET: 1/1	REV: A